

# S111

## FEMALE CONNECTOR FOR WELDING MACHINE PANEL



### Materials:

Phenolic resin.  
Resistant to oils and greases.  
Resistant to high temperatures.

### Surface finish:

Glossy.

### Colour:

Black (RAL 9011).

### Inserts:

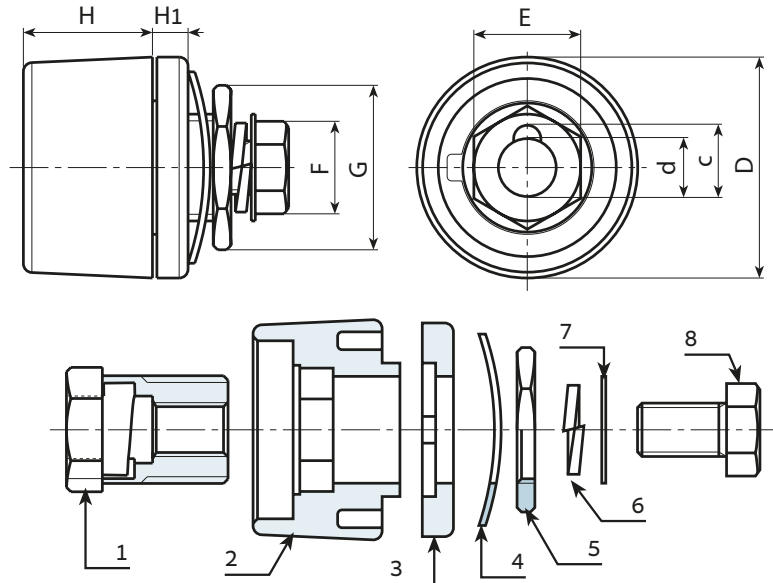
- (1) Brass insert with female connector EN 60794:12.
- (4) F25-00: Black-oxide treated steel toothed washer DIN 6798.
- (4) F35-00: Black-oxide treated steel corrugated washer DIN 137.
- (4) F70-95: Black-oxide treated steel corrugated washer DIN 137.
- (5) Yellow passivated steel threaded hexagon ring nut.
- (6) Black-oxide treated steel split washer UNI 1751.
- (7) Yellow passivated steel washer.
- (8) Yellow passivated hex head screw DIN933/UNI 5739.

### Special Requests:

- None.



S111+S112



Stock availability as % (🛒)  
90% (●) - 40% (●) - 5% (●)

🛒	art.	D	H	H1	d	c	E	F	G	📦	Amp. Max
●	S111.F2500	33	14	4	9	11	14	13	22	50	200
●	S111.F3550	50.5	29	7	13	16	21	17	27	153	400
●	S111.F7095	50.5	29	7	13	16	24	19	32	202	500