

R809

BAR STOP

+135°
-30°

PA6
+G.F.

UL94
HB

RoHS
COMPLIANT

Materials:

Reinforced polyamide.
Resistant to oils and greases.

Surface finish:

Satin.

Colour:

Black (RAL 9011).

Hole:

Smooth through hole obtained by moulding the plastic.

Inserts:

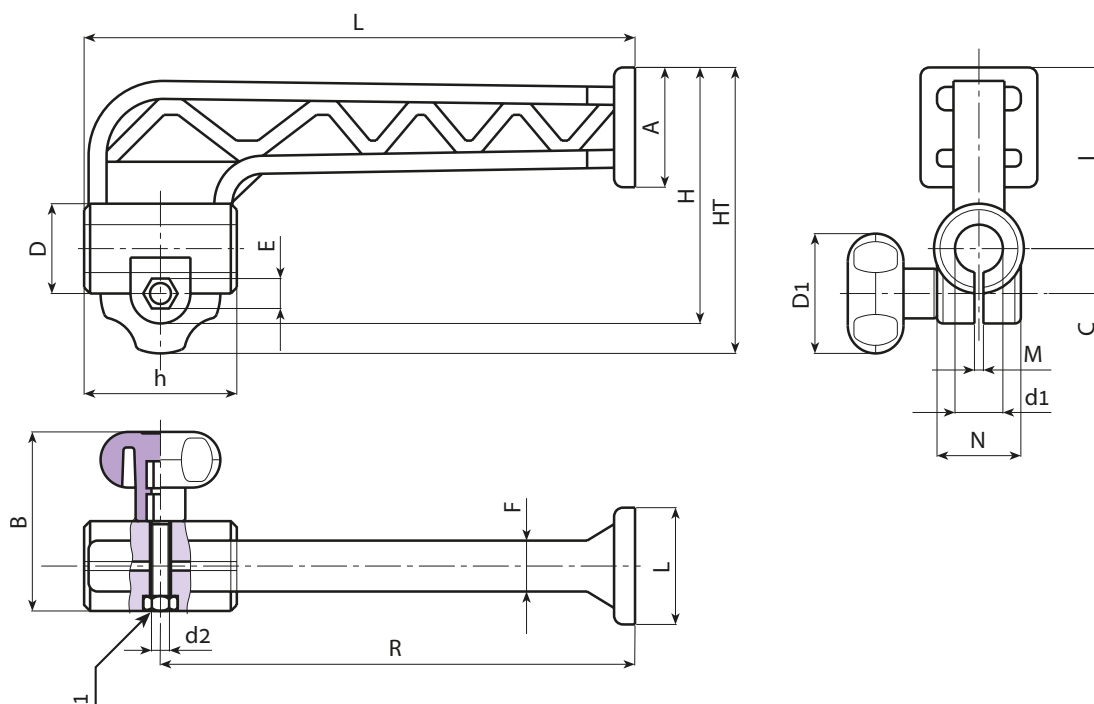
(1) Galvanised steel nut with threaded through hole DIN 934 / UNI 5588

Locking handwheel:

R809130: art. G73230.TM06X25.
R809158: art. G73240.TM06X30.

Special requests:

- None.



Stock availability as % (🛒)
90% (●) -40% (●) -5% (●)

🛒	Art.	R	L	H	HT	D	D1	A	B	C	E	F	I	M	N	h	d1	d2	📦
●	R809130.TD1201	132	150	85	90	24,5	30	25	47	12	10	14,5	63	2	24,5	35	12	M6	70
●	R809130.TD1301	132	150	85	90	24,5	30	25	47	12	10	14,5	63	2	24,5	35	13	M6	70
●	R809130.TD1601	132	150	85	90	24,5	30	25	47	12	10	14,5	63	2	24,5	35	16	M6	67
●	R809158.TD1601	158	183	92	102	29	40	40	57	14,5	10	17	67	2	28,5	51	16	M6	130
●	R809158.TD2001	158	183	92	102	29	40	40	57	14,5	10	17	67	2	28,5	51	20	M6	130