

R610

NEW



POLYPROPYLENE / RUBBER WHEEL WITH RIGID STEEL FORK AND SMOOTH THROUGH BORE

Materials:

Wheel body:

Polypropylene.

Tread:

Synthetic thermoplastic rubber. Hardness 93 ± 3 Shore A.

Surface finish:

Smooth.

Colour:

- (1) Dark grey.
- (2) Light grey.
- (3-4-5-6-7) Galvanised blue.

Wheel rotation (4):

The hole for the pivot pin is formed by plastic moulding. A galvanised steel tube is positioned between the stud and the hole for protection.

Bracket (3):

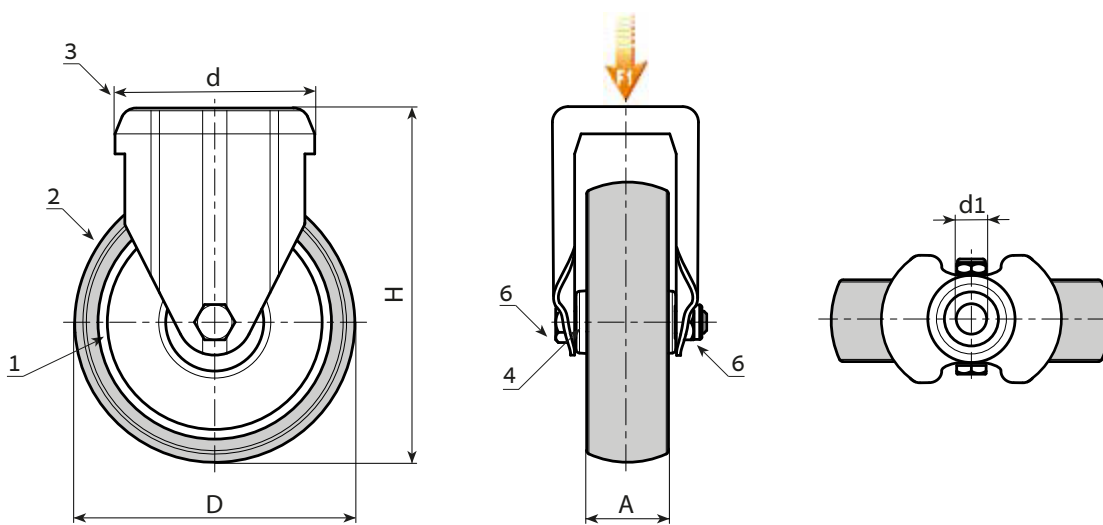
Steel (DD13) fork, with mounting hole (hole tolerance H7).

Wheel fastening (6):

Steel hex head screw, coupled with a steel nut.

Special requests:

- Upon request the wheel can be supplied in material with high electrical conductivity (ESD).



Version: standard.

Stock availability as % (🛒)
90% (●) - 40% (●) - 5% (●)

| 🛒 | art. | D | A | H | d | d1H7 | g | F1 (Kg) |
|---|----------------|-----|----|-----|----|------|---|---------|
| ● | R610050.T18D12 | 50 | 18 | 70 | 48 | 12 | - | 40 |
| ● | R610063.T22D12 | 63 | 22 | 90 | 48 | 12 | - | 60 |
| ● | R610080.T22D12 | 80 | 22 | 109 | 48 | 12 | - | 60 |
| ● | R610100.T27D12 | 100 | 27 | 134 | 57 | 12 | - | 80 |
| ● | R610125.T27D12 | 125 | 27 | 159 | 57 | 12 | - | 80 |

Version ESD: with wheel in conductive material.



| 🛒 | art. | D | A | H | d | d1H7 | g | F1 (Kg) |
|---|-------------------|-----|----|-----|----|------|---|---------|
| ● | R610050.T18D12ESD | 50 | 18 | 70 | 48 | 12 | - | 40 |
| ● | R610060.T22D12ESD | 60 | 22 | 90 | 48 | 12 | - | 60 |
| ● | R610080.T24D12ESD | 80 | 24 | 109 | 48 | 12 | - | 60 |
| ● | R610100.T29D12ESD | 100 | 29 | 134 | 57 | 12 | - | 80 |
| ● | R610125.T29D12ESD | 125 | 29 | 159 | 57 | 12 | - | 80 |



Arbel Agencies LTD.
11 Ba'alei Hamelacha st. Qiryat Bialik P.O.B 1095, ZIP 2751311, ISRAEL
+972(0)48736969 ☎ +972(0)48730708 📠 info@arbel-ltd.com 📧 www.arbel-ltd.com 🌐

