

# R609

**NEW**



## POLYPROPYLENE / RUBBER WHEEL WITH RIGID STEEL FORK AND MOUNTING PLATE

### Materials:

#### Wheel body:

Polypropylene.

#### Tread:

Synthetic thermoplastic rubber. Hardness  $93 \pm 3$  Shore A.

#### Surface finish:

Smooth.

#### Colour:

- (1) Dark grey.
- (2) Light grey.
- (3-4-5-6-7) Galvanised blue.

#### Wheel rotation (4):

The hole for the pivot pin is formed by plastic moulding. A galvanised steel tube is positioned between the stud and the hole for protection.

#### Bracket (3):

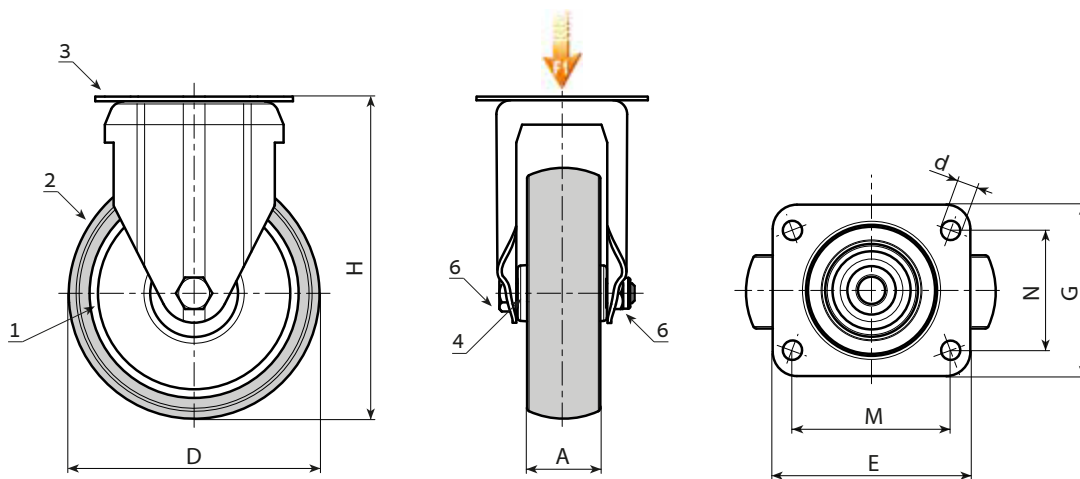
Steel (DD13) fork, with mounting holes in the base.

#### Wheel fastening (6):

Steel hex head screw, coupled with a steel nut.

#### Special requests:

- Upon request the wheel can be supplied in material with high electrical conductivity (ESD).



#### Version: standard.

Stock availability as % (🛒)  
90% (●) - 40% (●) - 5% (●)

🛒	art.	D	A	H	E	G	M	N	d	g	F1 (Kg)
●	R609050.T18P045X045	50	18	70	60	60	45	45	6,5	-	40
●	R609063.T22P045X045	63	22	90	60	60	45	45	6,5	-	60
●	R609080.T22P045X045	80	22	109	60	60	45	45	6,5	-	60
●	R609100.T27P060X050	100	27	134	76	70	60	50	8,3	-	80
●	R609125.T27P060X050	125	27	159	76	70	60	50	8,3	-	80

#### Version ESD: with wheel in conductive material.



🛒	art.	D	A	H	E	G	M	N	d	g	F1 (Kg)
●	R609050.T18P045X045ESD	50	18	70	60	60	45	45	6,5	-	40
●	R609060.T22P045X045ESD	60	22	90	60	60	45	45	6,5	-	60
●	R609080.T24P045X045ESD	80	24	109	60	60	45	45	6,5	-	60
●	R609100.T29P060X050ESD	100	29	134	76	70	60	50	8,3	-	80
●	R609125.T29P060X050ESD	125	29	159	76	70	60	50	8,3	-	80



Arbel Agencies LTD.  
11 Ba'alei Hamelacha st. Qiryat Bialik P.O.B 1095, ZIP 2751311, ISRAEL  
+972(0)48736969 ☎ +972(0)48730708 📠 info@arbel-ltd.com 📧 www.arbel-ltd.com 🌐

