

# R607

**NEW**



## POLYPROPYLENE / RUBBER WHEEL WITH RECTANGULAR SWIVEL STEEL PLATE

### Materials:

#### Wheel body:

Polypropylene.

#### Tread:

Synthetic thermoplastic rubber. Hardness 93 ± 3 Shore A.

### Surface finish:

Smooth.

### Colour:

- (1) Dark grey.
- (2) Light grey.
- (3-4-5-6-7) Galvanised blue.

### Wheel rotation (4):

The hole for the pivot pin is formed by plastic moulding. A galvanised steel tube is positioned between the stud and the hole for protection.

### Bracket (3):

Steel fork (DD13).

### Rotating assembly (5):

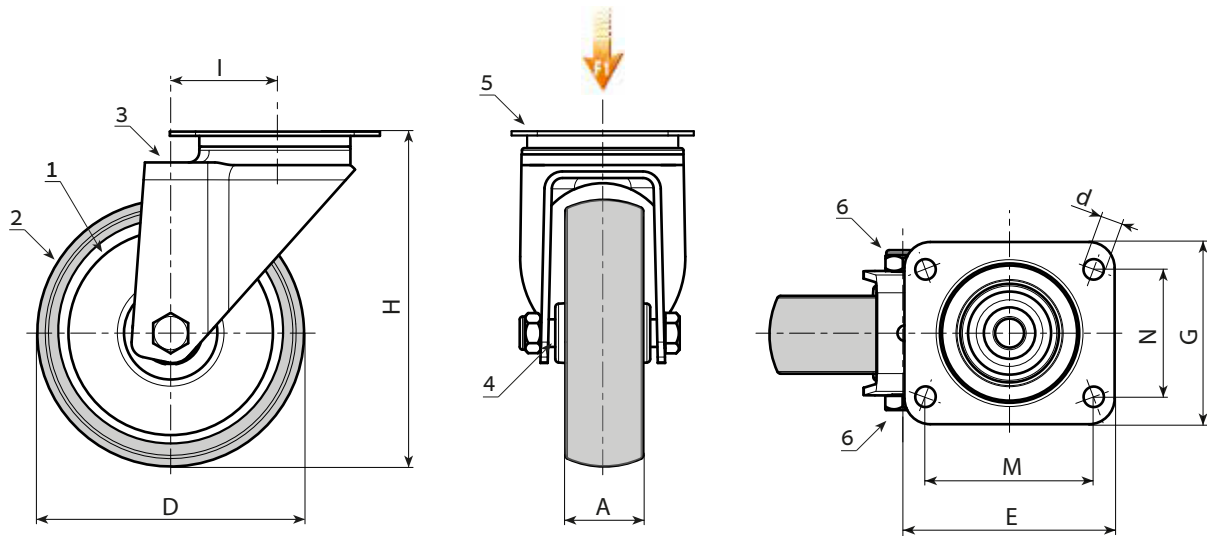
Steel rotating assembly with double ball race, and rectangular swivel plate with four slotted mounting holes.

### Wheel fastening (6):

Steel hex head screw, coupled with a steel nut.

### Special requests:

- Upon request the wheel can be supplied in material with high electrical conductivity (ESD).



### Version: standard.

Stock availability as % (🛒)  
90% (●) - 40% (●) - 5% (●)

art.	D	A	H	I	E	G	M	N	d	g	F1 (Kg)
● R607050.T18P045X045	50	18	70	26	60	60	45	45	6,5	-	40
● R607063.T22P045X045	63	22	90	26	60	60	45	45	6,5	-	60
● R607080.T22P045X045	80	22	109	25	60	60	45	45	6,5	-	60
● R607100.T27P060X050	100	27	134	36	76	70	60	50	8,3	-	80
● R607125.T27P060X050	125	27	159	35	76	70	60	50	8,3	-	80



### Version ESD: with wheel in conductive material.

art.	D	A	H	I	E	G	M	N	d	g	F1 (Kg)
● R607050.T18P045X045ESD	50	18	70	26	60	60	45	45	6,5	-	40
● R607060.T22P045X045ESD	60	22	90	26	60	60	45	45	6,5	-	60
● R607080.T24P045X045ESD	80	24	109	25	60	60	45	45	6,5	-	60
● R607100.T29P060X050ESD	100	29	134	36	76	70	60	50	8,3	-	80
● R607125.T29P060X050ESD	125	29	159	35	76	70	60	50	8,3	-	80

### Arbel Agencies LTD.



11 Ba'alei Hamelacha st. Qiryat Bialik P.O.B 1095, ZIP 2751311, ISRAEL  
+972(0)48736969 ☎ +972(0)48730708 📠 info@arbel-ltd.com 📧 www.arbel-ltd.com 🌐

