

R602

NEW



POLYPROPYLENE / RUBBER WHEEL WITH ROUND STEEL SWIVEL SUPPORT AND SMOOTH THROUGH HOLE WITH BRAKE

Materials:

Wheel body:

Polypropylene.

Tread:

Synthetic thermoplastic rubber. Hardness 93 ± 3 Shore A.

Surface finish:

Smooth.

Colour:

- (1) Dark grey.
- (2) Light grey.
- (3-4-5-6-7) Galvanised blue.

Wheel rotation (4):

The hole for the pivot pin is formed by plastic moulding. A galvanised steel tube is positioned between the stud and the hole for protection.

Bracket (3):

Steel fork (DD13), with integrated brake. Brake actuation lever moulded in grey plastic.

Rotating assembly (5):

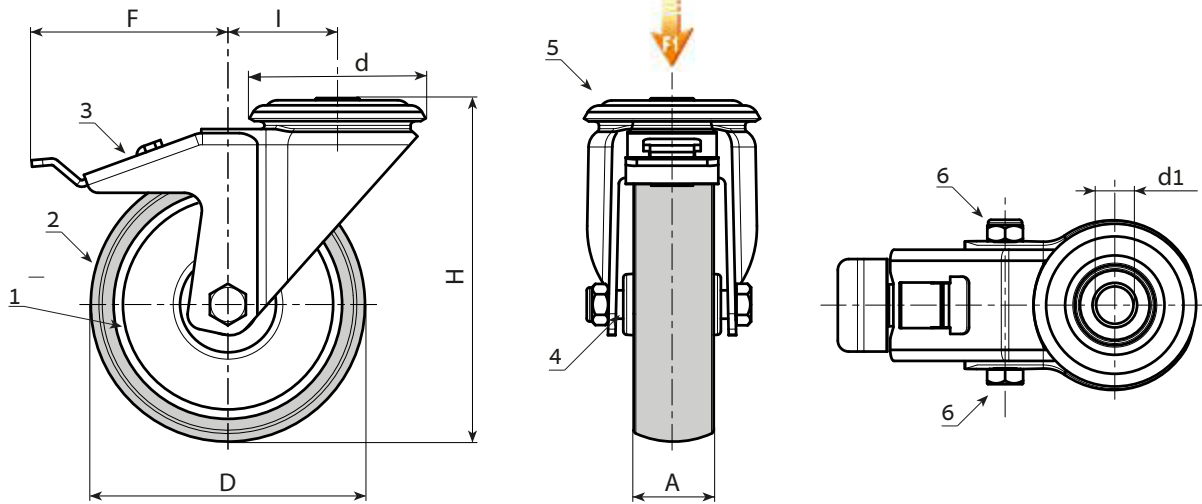
Steel rotating assembly with double ball race and smooth fixing hole, (hole tolerance H7).

Wheel fastening (6):

Steel hex head screw, coupled with a steel nut.

Special requests:

- Upon request the wheel can be supplied in material with high electrical conductivity (ESD).



Version: standard.

Stock availability as % (🛒)
90% (●) - 40% (●) - 5% (●)

🛒	art.	D	A	H	I	d	F	d1H7	g	F1 (Kg)
●	R602050.T18D12	50	18	70	26	48	80	12	-	40
●	R602063.T22D12	63	22	90	26	48	84	12	-	60
●	R602080.T22D12	80	22	109	25	48	84	12	-	60
●	R602100.T27D12	100	27	134	36	57	106	12	-	80
●	R602125.T27D12	125	27	159	35	57	106	12	-	80

Version ESD: with wheel in conductive material.



🛒	art.	D	A	H	I	d	F	d1H7	g	F1 (Kg)
●	R602050.T18D12ESD	50	18	70	26	48	80	12	-	40
●	R602060.T22D12ESD	60	22	90	26	48	84	12	-	60
●	R602080.T24D12ESD	80	24	109	25	48	84	12	-	60
●	R602100.T29D12ESD	100	29	134	36	57	106	12	-	80
●	R602125.T29D12ESD	125	29	159	35	57	106	12	-	80



Arbel Agencies LTD.
11 Ba'alei Hamelacha st. Qiryat Bialik P.O.B 1095, ZIP 2751311, ISRAEL
+972(0)48736969 ☎ +972(0)48730708 📠 info@arbel-ltd.com 📧 www.arbel-ltd.com 🌐

