

R600

NEW



WHEEL WITH POLYPROPYLENE BODY AND THERMOPLASTIC RUBBER TREAD (WITHOUT RIG)

Materials:

Wheel body:

Polypropylene.

Tread:

Synthetic thermoplastic rubber. Hardness 93 ± 3 Shore A.

Surface finish:

Smooth.

Colour:

Body:

Light grey.

Tread:

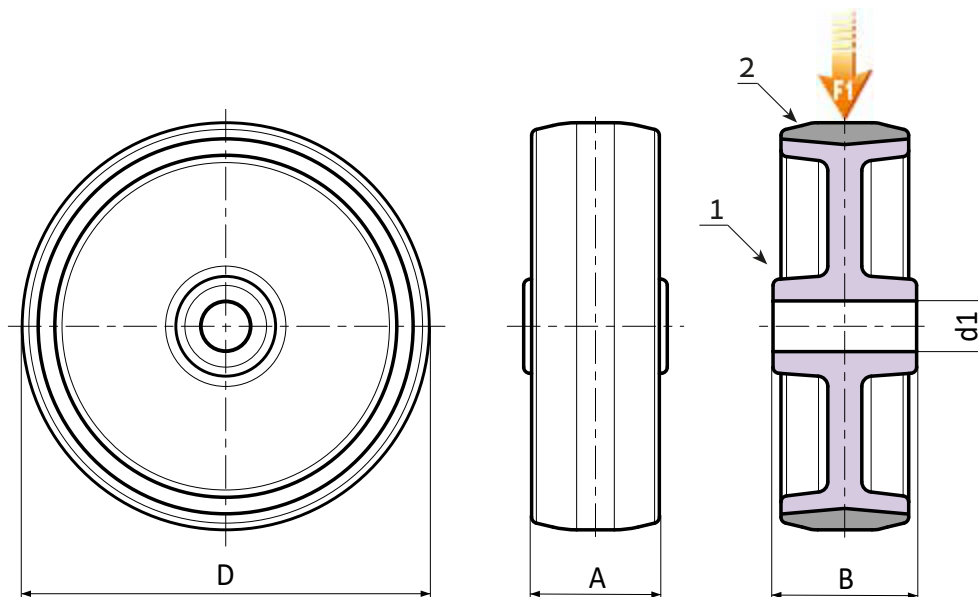
Dark grey.

Wheel rotation:

The hole for the pivot pin is formed by plastic moulding.

Special requests:

- Upon request the wheel can be supplied in material with high electrical conductivity (ESD).



Version: standard.

Stock availability as % (🛒)
90% (●) - 40% (●) - 5% (●)

🛒	art.	D	A	B	d1	g	F1 (Kg)
●	R600050.T18D08	50	18	22	8	-	40
●	R600063.T22D10	63	22	27	10	-	60
●	R600080.T22D10	80	22	27	10	-	60
●	R600100.T27D12	100	27	32	12	-	80
●	R600125.T27D12	125	27	32	12	-	80

Version ESD: with wheel in conductive material.



🛒	art.	D	A	B	d1	g	F1 (Kg)
●	R600050.T18D08ESD	50	18	21	8	-	40
●	R600060.T22D10ESD	60	22	29	10	-	60
●	R600080.T24D10ESD	80	24	29	10	-	60
●	R600100.T29D12ESD	100	29	34	12	-	80
●	R600125.T29D12ESD	125	29	32	12	-	80



Arbel Agencies LTD.
11 Ba'alei Hamelacha st. Qiryat Bialik P.O.B 1095, ZIP 2751311, ISRAEL
+972(0)48736969 ☎ +972(0)48730708 📠 info@arbel-ltd.com 📧 www.arbel-ltd.com 🌐

