

R553CH

CLOSED SPINDLE GUARD



Materials:

Reinforced polyamide.
Resistant to oils and greases.

Surface finish:

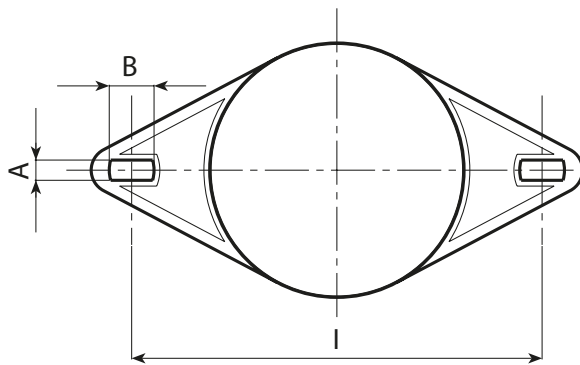
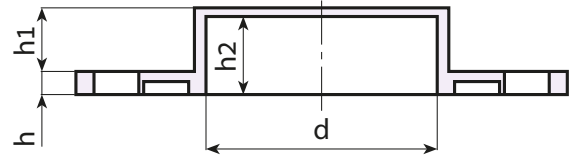
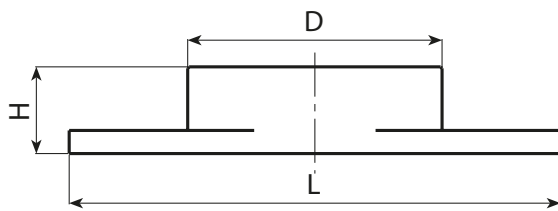
Smooth.

Colour:

Black (RAL 9011).

Special requests:

- None.



Stock availability as % (🛒)
90% (●) - 40% (●) - 5% (●)

🛒	Art.	H	D	d	L	l	A	B	h	h1	h2	🛒
●	R553170CH.T01	30,5	88	80	170	142	7	15	8	22,5	27,5	90