

# R537

## COMPLETE "SEALED" 5 WAY TERMINAL BLOCK



### Materials:

(1-3) Impact resistant, self-extinguishing Polystyrene.

### Surface finish:

Smooth.

### Colour:

Black (RAL 9011).

### Inserts:

- Brass insert with threaded through hole.
- (4) Galvanised self-tapping screw 4.2x22 DIN 7981/UNI6954.
- (2) Thermoplastic rubber 75 shore.
- (5) Galvanised steel screw M4x10 DIN 84.
- (6) Rear terminal block cover.

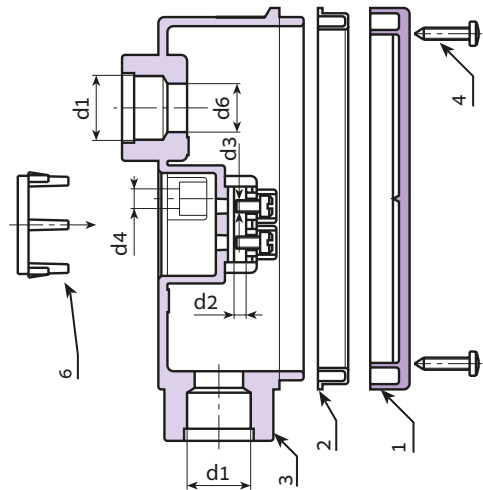
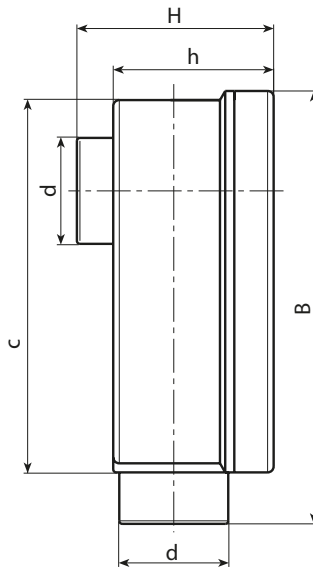
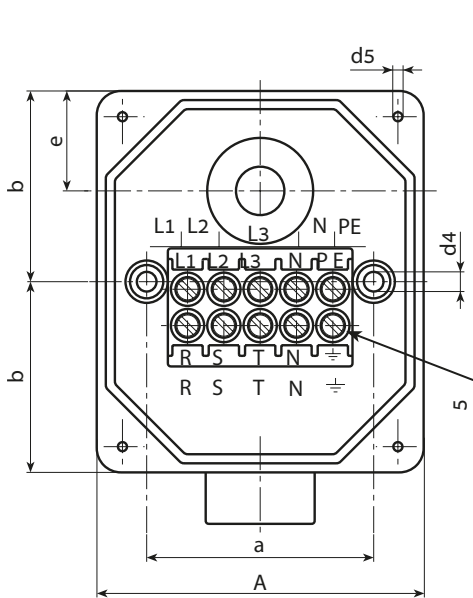
### Degree of protection:

IP54.

### Special Requests:

- None.

Product compliant with norm EN 50262 (20-57).



Stock availability as % (🛒)

90% (●) -40% (●) -5% (●)

Art.	A	B	H	h	d	a	b	c	e	d1	d2	d3	d4	d5	d6	g
● R537126M20.P01	108,5	144	67,5	54,5	36	75	63	120,5	30	M20x1,5	5	M4	6	3,5	18,5	345
● R537126M25.P01(*)	108,5	144	67,5	54,5	36	75	63	120,5	30	M25x1,5	5	M4	6	3,5	18,5	345

(\*) Lockable cable section: 2,5mm<sup>2</sup> 3-cable (220V) or 1,5mm<sup>2</sup> 5-cable (380V).



Arbel Agencies LTD.

11 Ba'alei Hamelacha st. Qiryat Bialik P.O.B 1095, ZIP 2751311, ISRAEL  
 +972(0)48736969 ☎ +972(0)48730708 📠 info@arbel-ltd.com 🌐 www.arbel-ltd.com 🌐

