

R536



TERMINAL BLOCK COVER WITH DIAGONAL HOLES AND CABLE ENTRY

Materials:

Impact resistant, self-extinguishing Polystyrene.

Surface finish:

Smooth.

Colour:

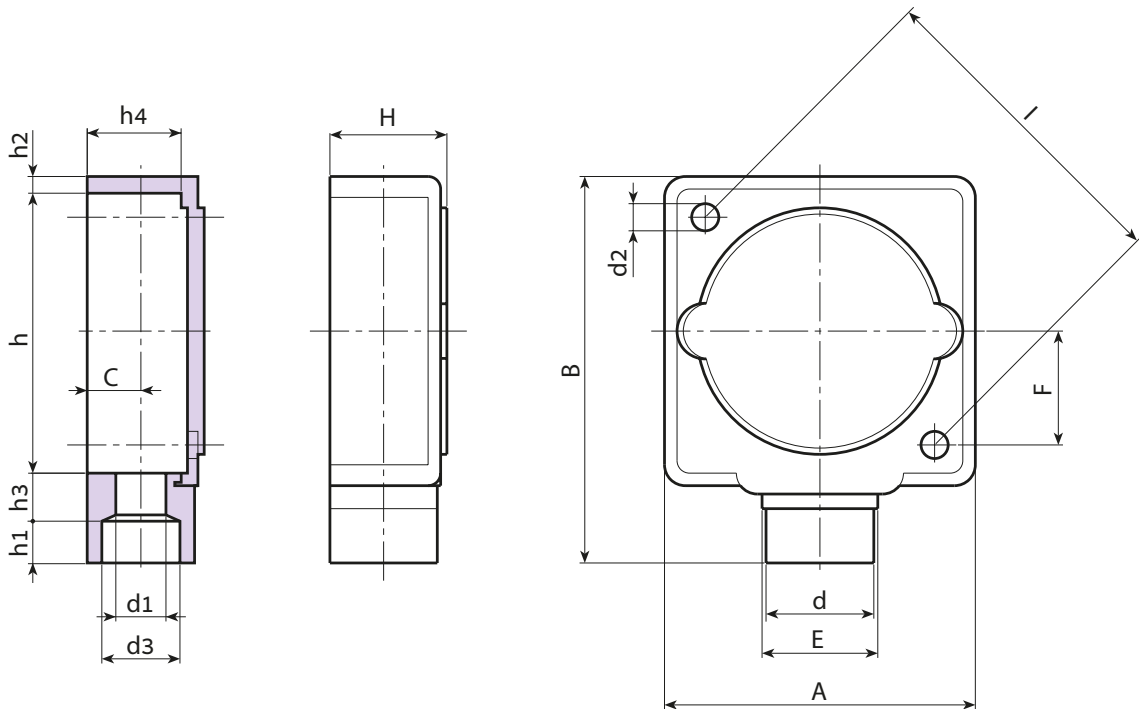
Black (RAL 9011).

Special requests:

- None.

Compatible accessories:

Terminal block article R532 [page 573].



Stock availability as % (🛒)
90% (●) - 40% (●) - 5% (●)

Art.	A	B	H	I	C	E	F	d	d1	d2	d3	h	h1	h2	h3	h4	g
● R53676.P01	75	92	29	78,5	13	28	28	26	12	6,5	19	67	11,5	4	10	23	57