

# R409



## POLYPROPYLENE / RUBBER WHEEL WITH RIGID STEEL FORK

### Materials:

#### Wheel body:

Polypropylene.

#### Tread:

Synthetic thermoplastic rubber. Hardness  $93 \pm 3$  Shore A.

#### Surface finish:

Smooth.

#### Colour:

(1) Black (RAL 9011).

(2) Light grey.

(3-4-5-6-7) Galvanised blue.

#### Wheel rotation (4):

The hole for the pivot pin is formed by plastic moulding. A galvanised steel tube is positioned between the stud and the hole for protection.

#### Bracket (3):

Steel (DD13) fork, with mounting holes in the base.

#### Wheel fastening (6):

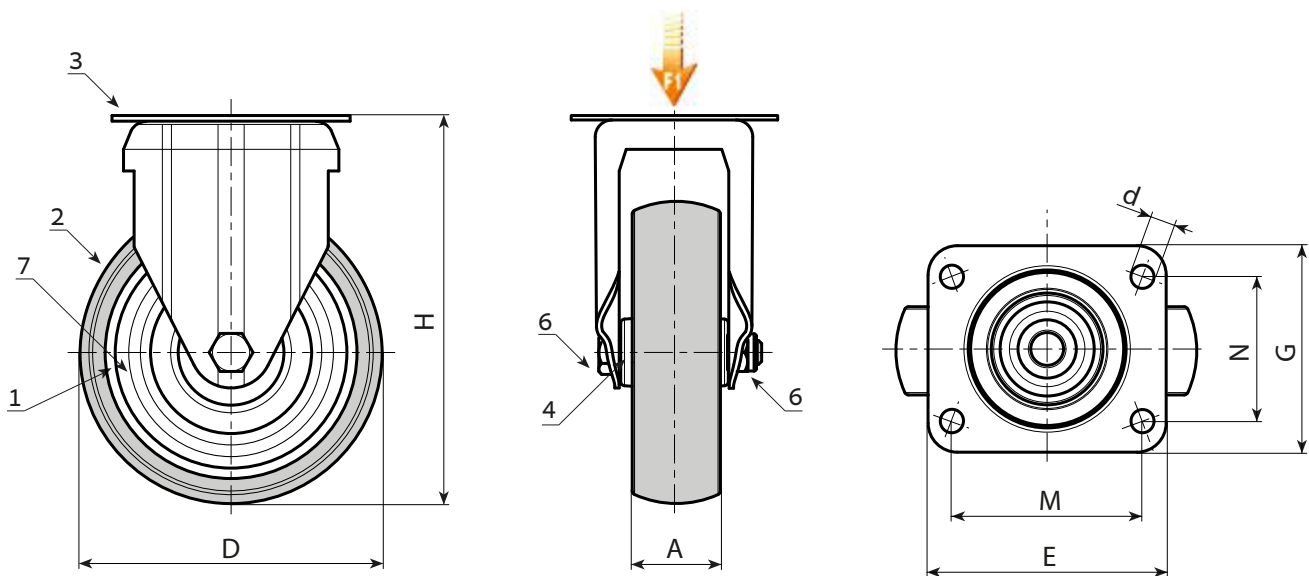
Steel hex head screw, coupled with a steel nut.

#### Thread guards (7):

Sheared steel thread guard disk fixed on both sides.

#### Special requests:

- None.



Stock availability as % (🛒)  
90% (●) - 40% (●) - 5% (●)

🛒	art.	D	A	H	E	G	M	N	d	g	F1 (Kg)
●	R409050.T18P045X045	50	18	70	60	60	45	45	6,5	-	40
●	R409063.T22P045X045	63	22	90	60	60	45	45	6,5	-	60
●	R409080.T22P045X045	80	22	109	60	60	45	45	6,5	-	60
●	R409100.T27P060X050	100	27	134	76	70	60	50	8,3	-	80
●	R409125.T27P060X050	125	27	159	76	70	60	50	8,3	-	80



Arbel Agencies LTD.  
11 Ba'alei Hamelacha st. Qiryat Bialik P.O.B 1095, ZIP 2751311, ISRAEL  
+972(0)48736969 ☎ +972(0)48730708 📠 info@arbel-ltd.com 📧 www.arbel-ltd.com 🌐

