

R404

NEW



POLYPROPYLENE / RUBBER WHEEL WITH ROUND STEEL SWIVEL SUPPORT AND THREADED STUD WITH BRAKE

Materials:

Wheel body:

Polypropylene.

Tread:

Synthetic thermoplastic rubber. Hardness 93 ± 3 Shore A.

Surface finish:

Smooth.

Colour:

(1) Black (RAL 9011).

(2) Light grey.

(3-4-5-6-7) Galvanised blue.

Wheel rotation (4):

The hole for the pivot pin is formed by plastic moulding. A galvanised steel tube is positioned between the stud and the hole for protection.

Bracket (3):

Steel fork (DD13), with integrated brake. Brake actuation lever moulded in grey plastic.

Rotating assembly (5):

Steel rotating assembly with double ball race and threaded stud (thread tolerance 6g).

Wheel fastening (6):

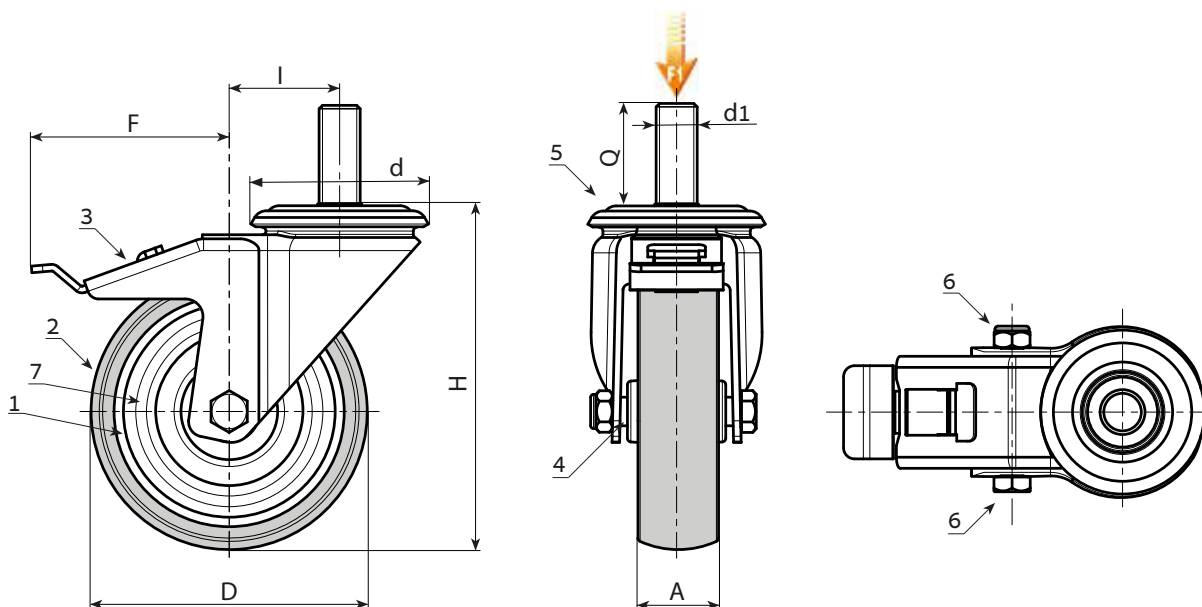
Steel hex head screw, coupled with a steel nut.

Thread guards (7):

Sheared steel thread guard disk fixed on both sides.

Special requests:

- With a minimum of 100 pieces, M12 threaded studs can be supplied instead of M10, and vice versa.



Stock availability as % (🛒)
90% (●) - 40% (●) - 5% (●)

art.	D	A	H	I	d	F	d16g	Q	g	F1 (Kg)
R404050.T18M10X25	50	18	70	26	48	80	M10	25	-	40
R404063.T22M10X25	63	22	90	26	48	84	M10	25	-	60
R404080.T22M10X25	80	22	109	25	48	84	M10	25	-	60
R404100.T27M12X30	100	27	134	36	57	106	M12	30	-	80
R404125.T27M12X30	125	27	159	35	57	106	M12	30	-	80

Arbel Agencies LTD.



11 Ba'alei Hamelacha st. Qiryat Bialik P.O.B 1095, ZIP 2751311, ISRAEL
+972(0)48736969 ☎ +972(0)48730708 📠 info@arbel-ltd.com 📧 www.arbel-ltd.com 🌐

