

# R402



## POLYPROPYLENE / RUBBER WHEEL WITH ROUND STEEL SWIVEL SUPPORT AND SMOOTH THROUGH HOLE WITH BRAKE

### Materials:

#### Wheel body:

Polypropylene.

#### Tread:

Synthetic thermoplastic rubber. Hardness  $93 \pm 3$  Shore A.

#### Surface finish:

Smooth.

#### Colour:

(1) Black (RAL 9011).

(2) Light grey.

(3-4-5-6-7) Galvanised blue.

#### Wheel rotation (4):

The hole for the pivot pin is formed by plastic moulding. A galvanised steel tube is positioned between the stud and the hole for protection.

#### Bracket (3):

Steel fork (DD13), with integrated brake. Brake actuation lever moulded in grey plastic.

#### Rotating assembly (5):

Steel rotating assembly with double ball race and smooth fixing hole, (hole tolerance H7).

#### Wheel fastening (6):

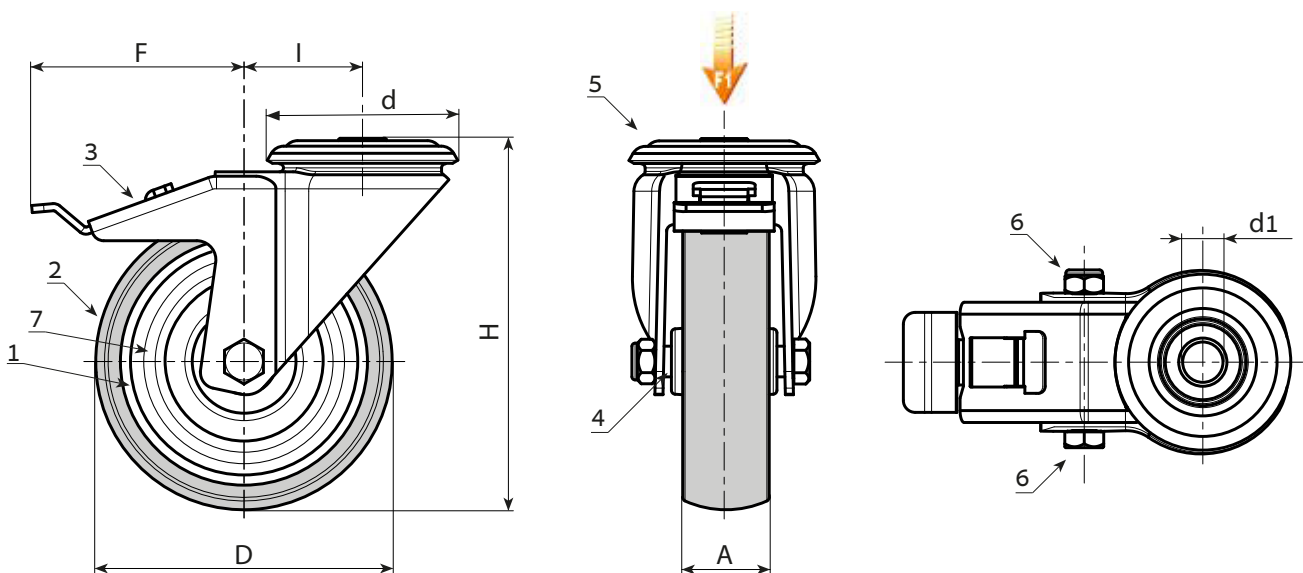
Steel hex head screw, coupled with a steel nut.

#### Thread guards (7):

Sheared steel thread guard disk fixed on both sides.

#### Special requests:

- None.



Stock availability as % (🛒)  
90% (●) - 40% (●) - 5% (●)

art.	D	A	H	I	d	F	d1H7	g	F1 (Kg)
R402050.T18D12	50	18	70	26	48	80	12	-	40
R402063.T22D12	63	22	90	26	48	84	12	-	60
R402080.T22D12	80	22	109	25	48	84	12	-	60
R402100.T27D12	100	27	134	36	57	106	12	-	80
R402125.T27D12	125	27	159	35	57	106	12	-	80



Arbel Agencies LTD.  
11 Ba'alei Hamelacha st. Qiryat Bialik P.O.B 1095, ZIP 2751311, ISRAEL  
+972(0)48736969 ☎ +972(0)48730708 📠 info@arbel-ltd.com 📧 www.arbel-ltd.com 🌐

