

# R400



## WHEEL WITH POLYPROPYLENE BODY AND THERMOPLASTIC RUBBER TREAD (WITHOUT RIG)

### Materials:

#### Wheel body:

Polypropylene.

#### Tread:

Synthetic thermoplastic rubber. Hardness  $93 \pm 3$  Shore A.

#### Surface finish:

Smooth.

#### Colour:

##### Body:

Black (Ral 9011).

##### Tread:

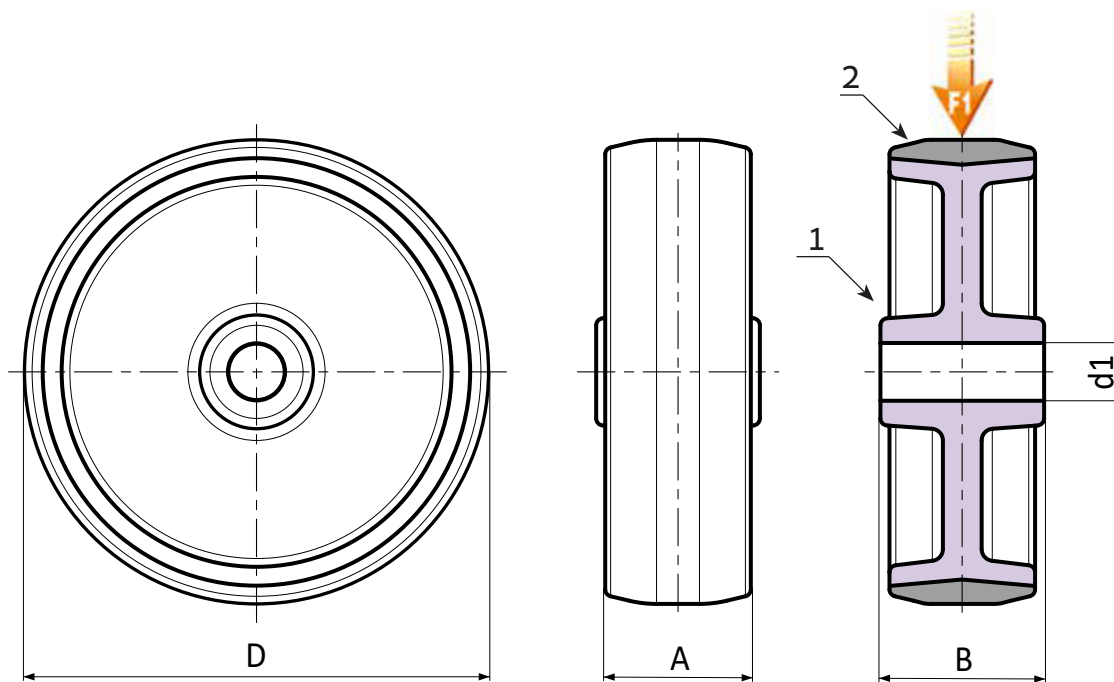
Light grey.

#### Wheel rotation:

The hole for the pivot pin is formed by plastic moulding.

#### Special requests:

- None.



Stock availability as % (🛒)  
90% (●) - 40% (●) - 5% (●)

🛒	art.	D	A	B	d1	g	F1 (Kg)
●	R400050.T18D08	50	18	22	8	-	40
●	R400063.T22D10	63	22	27	10	-	60
●	R400075.T24D08	75	24	27	8	-	60
●	R400080.T22D10	80	22	27	10	-	60
●	R400100.T27D12	100	27	32	12	-	80
●	R400125.T27D12	125	27	32	12	-	80



Arbel Agencies LTD.  
11 Ba'alei Hamelacha st. Qiryat Bialik P.O.B 1095, ZIP 2751311, ISRAEL  
+972(0)48736969 ☎ +972(0)48730708 📠 info@arbel-ltd.com 📧 www.arbel-ltd.com 🌐

