

# R300



## WHEEL WITH SHEET METAL RIM AND RUBBER TREAD (WITHOUT RIG)

### Materials:

#### Wheel body:

Two stamped sheet metal disks (steel DD13) riveted together to create a single body.

#### Tread:

Natural rubber trapezoidal tread. Hardness  $85 \pm 4$  Shore A.

#### Surface finish:

Smooth.

#### Colour:

##### Body:

Galvanised blue.

##### Tread:

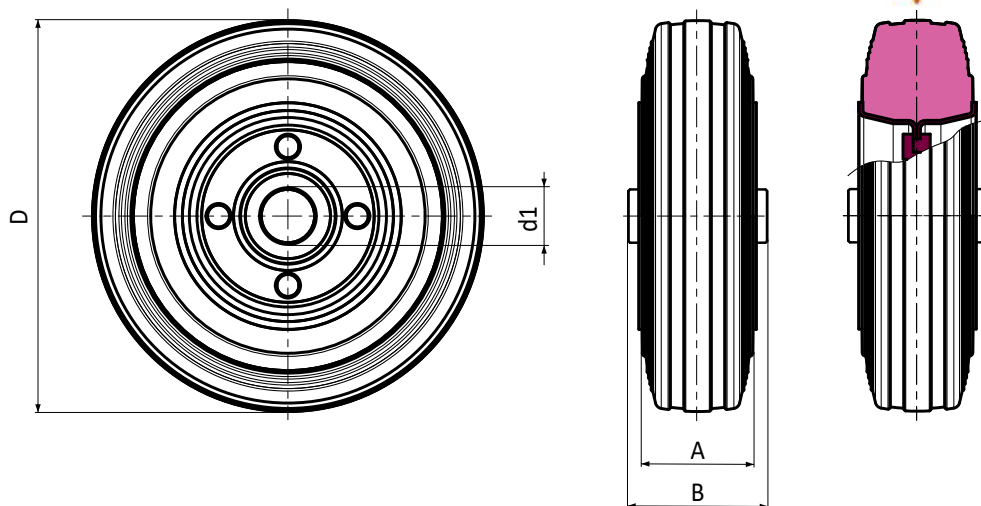
Black (Ral 9011).

#### Wheel rotation:

The hole for the pivot pin is stamped in sheet metal. A black polyamide insert is positioned between the pin and the hole for protection.

#### Special requests:

- Upon request and for a minimum of 20 pieces, the wheel can be supplied with a needle roller cage, (replace code no. R300 with code no. R330).



Stock availability as % (🛒)  
90% (●) - 40% (●) - 5% (●)

🛒	art.	D	A	B	d1	g	F1 (Kg)
●	R300080.T25D12	80	25	39	12	-	50
●	R300100.T30D12	100	30	39	12	-	70
●	R300125.T37D15	125	37.5	44	15	-	110
●	R300140.T37D15	140	37.5	44	15	-	140
●	R300150.T37D15	150	37.5	44	15	-	140
●	R300160.T40D20	160	40	45	20	-	160
●	R300180.T45D20	180	45	58	20	-	180
●	R300200.T50D20	200	50	58	20	-	220



Arbel Agencies LTD.  
11 Ba'alei Hamelacha st. Qiryat Bialik P.O.B 1095, ZIP 2751311, ISRAEL  
+972(0)48736969 ☎ +972(0)48730708 📠 info@arbel-ltd.com 📧 www.arbel-ltd.com 🌐

