

# R279



## ALUMINIUM / POLYURETHANE WHEEL WITH RIGID STEEL FORK AND STEEL BEARINGS

### Materials:

#### Wheel body (1):

Die-cast aluminium alloy.

#### Tread (2):

Mould-on polyurethane. Hardness  $94 \pm 2$  Shore A.

#### Surface finish:

Smooth.

#### Colour:

(1) Natural aluminium.

(2) Light brown.

(3-4-5-6) Galvanised blue.

#### Wheel rotation (4):

A pair of steel ball bearings is inserted in the wheel hub to provide excellent rollability.

#### Bracket (3):

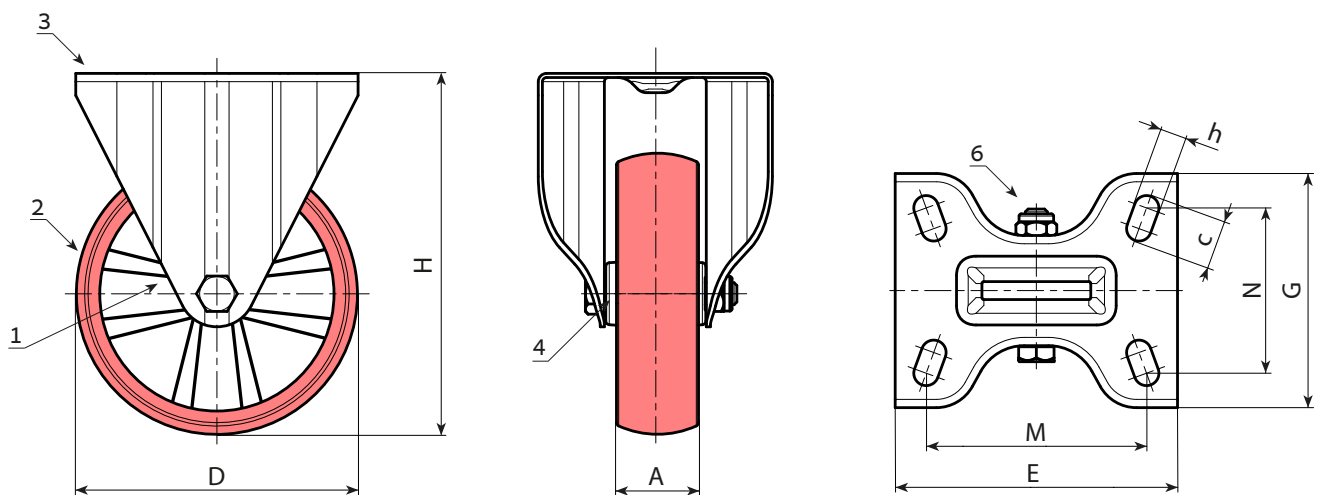
Extra-thick steel (DD13) fork, with mounting holes in the base.

#### Wheel fastening (6):

Steel hex head screw, coupled with a self-locking steel nut.

#### Special requests:

- None.



Stock availability as % (🛒)  
90% (●) - 40% (●) - 5% (●)

🛒	art.	D	A	H	E	G	M	N	c	h	g	F1 (Kg)
●	R279080.T25P080X060	80	25	108	100	84	80	60	12	9	-	150
●	R279100.T30P080X060	100	30	127	100	84	80	60	12	9	-	180
●	R279125.T30P080X060	125	30	155	100	84	80	60	12	9	-	180
●	R279150.T40P105X080	150	40	184	134	110	105	80	23	11	-	220
●	R279200.T50P105X080	200	50	240	135	110	105	80	23	11	-	300



11 Ba'alei Hamelacha st. Qiryat Bialik P.O.B 1095, ZIP 2751311, ISRAEL  
+972(0)48736969 ☎ +972(0)48730708 📠 info@arbel-ltd.com 📧 www.arbel-ltd.com 🌐

