

R278



ALUMINIUM / POLYURETHANE WHEEL WITH RECTANGULAR SWIVEL STEEL PLATE - WITH BRAKE AND BEARINGS

Materials:

Wheel body (1):

Die-cast aluminium alloy.

Tread (2):

Mould-on polyurethane. Hardness 94 ± 2 Shore A.

Surface finish:

Smooth.

Colour:

(1) Natural aluminium.

(2) Light brown.

(3-4-5-6) Galvanised blue.

Wheel rotation (4):

A pair of steel ball bearings is inserted in the wheel hub to provide excellent rollability.

Bracket (3):

Extra-thick steel (DD13) fork, with integrated brake.

Rotating assembly (5):

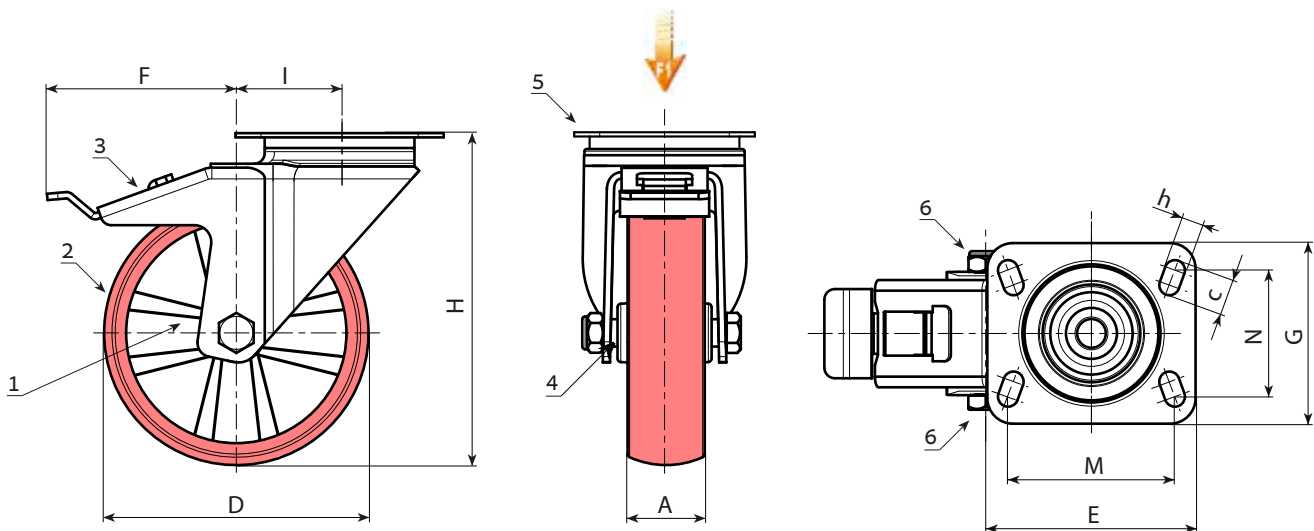
Steel rotating assembly with double ball race, assembled with steel screw grade 8.8 and rectangular swivel plate with four slotted mounting holes.

Wheel fastening (6):

Steel hex head screw, coupled with a self-locking steel nut.

Special requests:

- None.



Stock availability as % (🛒)
90% (●) - 40% (●) - 5% (●)

🛒	art.	D	A	H	I	E	G	M	N	c	h	F	g	F1 (Kg)
●	R278080.T25P080X060	80	25	108	32	100	84	80	60	12	9	114	-	150
●	R278100.T30P080X060	100	30	127	33	100	80	80	60	12	9	117	-	180
●	R278125.T30P080X060	125	30	155	39	100	80	80	60	12	9	123	-	180
●	R278150.T40P105X080	150	40	186	47	133	106	105	80	23	12	144	-	300
●	R278200.T50P105X080	200	50	240	56	132	110	105	80	23	12	157	-	300

Arbel Agencies LTD.



11 Ba'alei Hamelacha st. Qiryat Bialik P.O.B 1095, ZIP 2751311, ISRAEL
+972(0)48736969 ☎ +972(0)48730708 📠 info@arbel-ltd.com 📧 www.arbel-ltd.com 🌐

