

R270



WHEEL WITH ALUMINIUM BODY AND MOULD-ON POLYURETHANE TREAD WITH BALL BEARINGS WITHOUT RIG

Materials:

Wheel body:

Die-cast aluminium alloy.

Tread:

Mould-on polyurethane. Hardness 94 ± 2 Shore A.

Surface finish:

Smooth.

Colour:

Body:

Natural aluminium.

Tread:

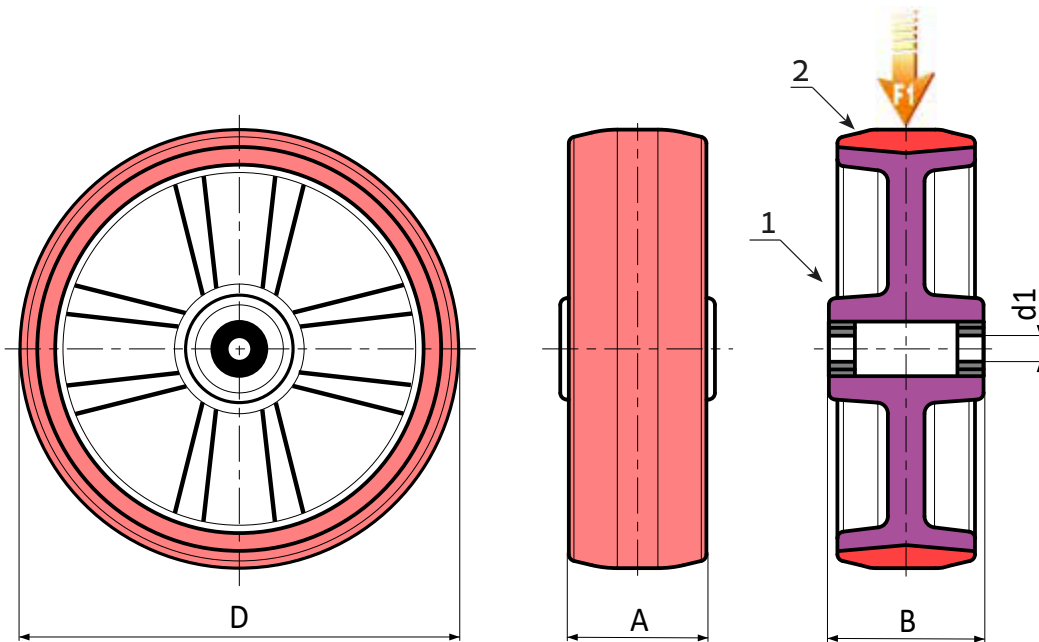
Light brown.

Wheel rotation:

(1) A pair of steel ball bearings is inserted in the wheel hub to provide excellent rollability under a heavy load.

Special requests:

- None.



Stock availability as % (🛒)
90% (●) - 40% (●) - 5% (●)

art.	D	A	B	d1	g	F1 (Kg)
R270080.T25D12	80	25	30	12	-	150
R270100.T30D15	100	30	30	15	-	200
R270125.T30D15	125	30	40	15	-	250
R270150.T40D17	150	40	45	17	-	400
R270200.T50D25	200	50	60	25	-	750



Arbel Agencies LTD.
11 Ba'alei Hamelacha st. Qiryat Bialik P.O.B 1095, ZIP 2751311, ISRAEL
+972(0)48736969 ☎ +972(0)48730708 📠 info@arbel-ltd.com 📧 www.arbel-ltd.com 🌐

