

# R209CIN

INOX

max  
4 Km/h

+60°  
-20°

PA6

PU

UL94  
HB

RoHS  
COMPLIANT

## POLYAMIDE / POLYURETHANE WHEEL WITH RIGID STAINLESS STEEL FORK

### Materials:

#### Wheel body (1):

Polyamide. Resistant to oils and greases.

#### Tread (2):

Injected polyurethane. Hardness  $60 \pm 5$  Shore D.

#### Surface finish:

Smooth.

#### Colour:

(1) Natural white.

(2) Red (Ral 3013).

(3-4-6) Natural stainless steel.

#### Wheel rotation (4):

The hole for the pivot pin is formed by plastic moulding. A stainless steel (Aisi 304) tube is positioned between the stud and the hole for protection.

#### Bracket (3):

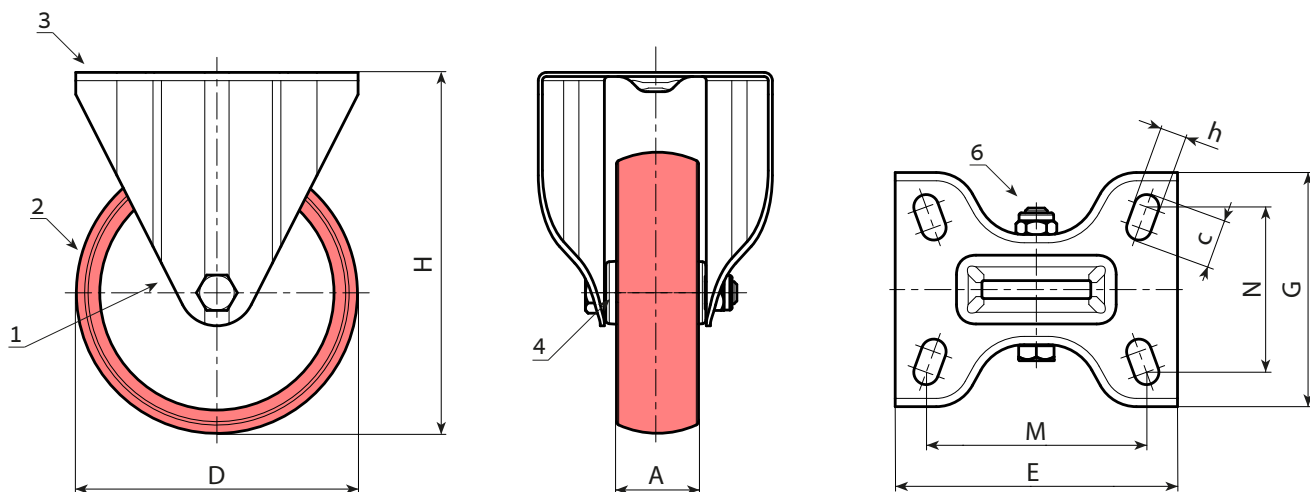
Rigid stainless steel (Aisi 304) fork, with mounting holes in the base.

#### Wheel fastening (6):

Stainless steel (Aisi 304) hex head bolt, coupled with a stainless steel (Aisi 304) nut.

#### Special requests:

- Upon request and for a minimum of 20 pieces, the wheel can be supplied with a needle roller cage, (replace code no. R209CIN with code no. R239CIN).



**BOTECO**  
**COMPONENTS**

Stock availability as % (🛒)  
90% (●) - 40% (●) - 5% (●)

art.	D	A	H	E	G	M	N	c	h	g	F1 (Kg)
● R209080.T30P080X060CIN	80	30	108	100	84	80	60	12	9	379	100
● R209100.T30P080X060CIN	100	30	127	100	84	80	60	12	9	394	130
● R209125.T35P080X060CIN	125	35	155	100	84	80	60	12	9	550	180
● R209150.T40P080X060CIN	150	40	184	100	84	80	60	12	9	529	140
● R209200.T50P105X080CIN	200	50	240	135	110	105	80	23	11	1686	300

**arbel**  
AGENCIES LIMITED

Arbel Agencies LTD.  
11 Ba'alei Hamelacha st. Qiryat Bialik P.O.B 1095, ZIP 2751311, ISRAEL  
+972(0)48736969 ☎ +972(0)48730708 📠 info@arbel-ltd.com 📧 www.arbel-ltd.com 🌐

**BOTECO**