

R209



POLYAMIDE / POLYURETHANE WHEEL WITH RIGID STEEL FORK

Materials:

Wheel body (1):

Polyamide. Resistant to oils and greases.

Tread (2):

Injected polyurethane. Hardness 60 ± 5 Shore D.

Surface finish:

Smooth.

Colour:

- (1) Natural white.
- (2) Red (Ral 3013).
- (3-4-6) Galvanised blue.

Wheel rotation (4):

The hole for the pivot pin is formed by plastic moulding. A galvanised steel tube is positioned between the stud and the hole for protection.

Bracket (3):

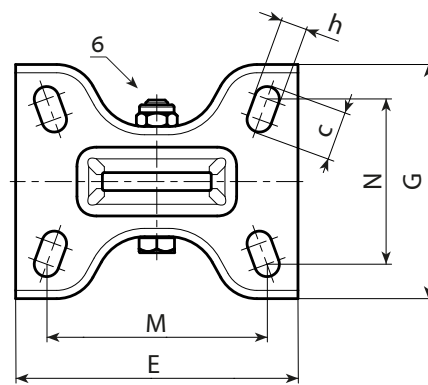
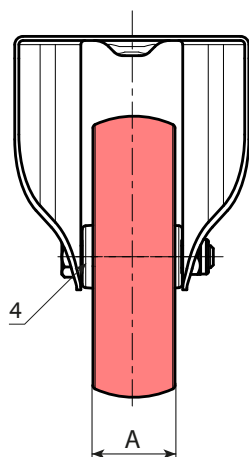
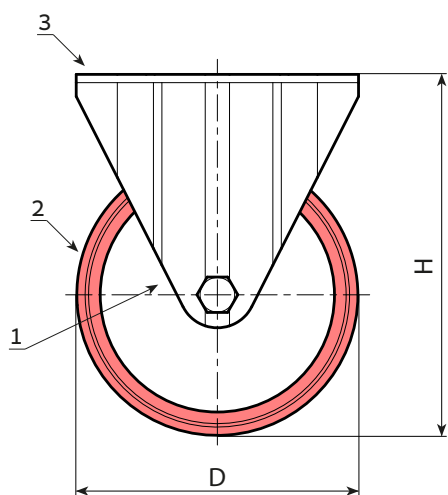
Rigid steel (DD13) fork, with mounting holes in the base.

Wheel fastening (6):

Steel hex head screw, coupled with a steel nut.

Special requests:

- Upon request and for a minimum of 20 pieces, the wheel can be supplied with a needle roller cage, (replace code no. R209 with code no. R239).



Stock availability as % (🛒)
90% (●) -40% (●) -5% (●)

art.	D	A	H	E	G	M	N	c	h	g	F1 (Kg)
● R209080.T30P080X060	80	30	108	100	84	80	60	12	9	379	100
● R209100.T30P080X060	100	30	127	100	84	80	60	12	9	436	130
● R209125.T35P080X060	125	35	155	100	84	80	60	12	9	685	180
● R209150.T40P080X060	150	40	184	100	84	80	60	12	9	577	140
● R209200.T50P105X080	200	50	240	135	110	105	80	23	11	1686	300



11 Ba'alei Hamelacha st. Qiryat Bialik P.O.B 1095, ZIP 2751311, ISRAEL
+972(0)48736969 ☎ +972(0)48730708 📠 info@arbel-ltd.com 📧 www.arbel-ltd.com 🌐

