

R207CIN

INOX

max
4 Km/h

+60°
-20°

PA6

PU

UL94
HB

RoHS
COMPLIANT

POLYAMIDE / POLYURETHANE WHEEL WITH RECTANGULAR STAINLESS STEEL SWIVEL PLATE

Materials:

Wheel body (1):

Polyamide. Resistant to oils and greases.

Tread (2):

Injected polyurethane. Hardness 60 ± 5 Shore D.

Surface finish:

Smooth.

Colour:

(1) Natural white.

(2) Red (Ral 3013).

(3-4-5-6) Natural stainless steel.

Wheel rotation (4):

The hole for the pivot pin is formed by plastic moulding. A stainless steel (Aisi 304) tube is positioned between the stud and the hole for protection.

Bracket (3):

Stainless steel (Aisi 304) fork.

Rotating assembly (5):

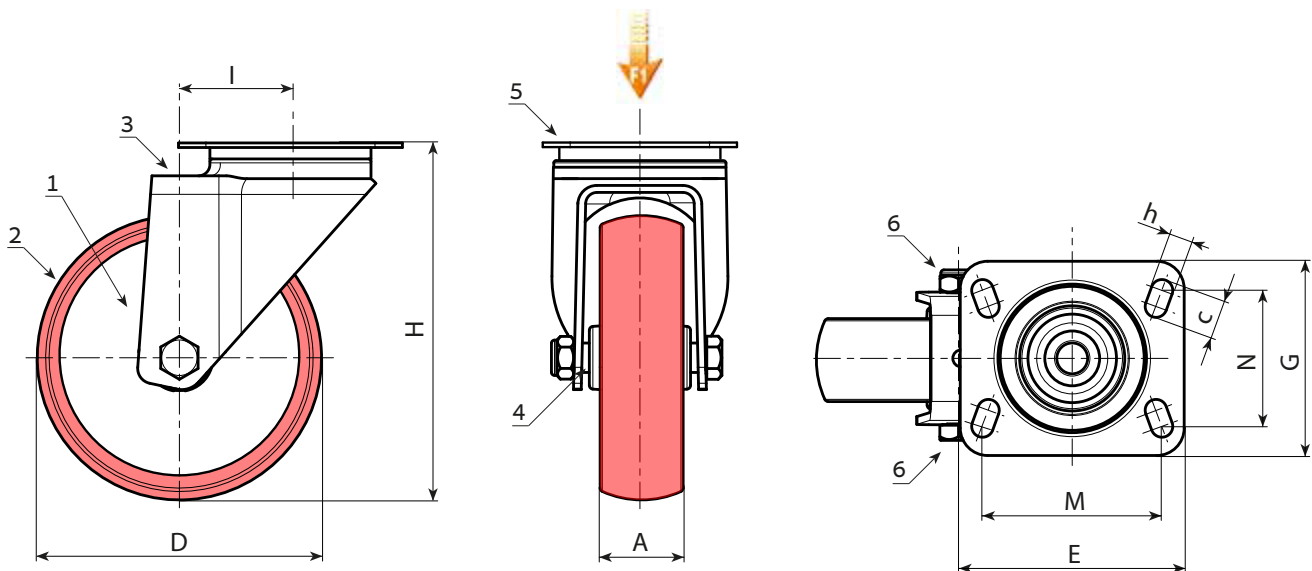
Stainless steel rotating assembly (Aisi 304) with double stainless steel (Aisi 420) ball race, and rectangular swivel plate with four slotted mounting holes.

Wheel fastening (6):

Stainless steel (Aisi 304) hex head bolt, coupled with a stainless steel (Aisi 304) nut.

Special requests:

- Upon request and for a minimum of 20 pieces, the wheel can be supplied with a needle roller cage, (replace code no. R207CIN with code no. R237CIN).



BATECO
COMPONENTS

Stock availability as % (🛒)
90% (●) - 40% (●) - 5% (●)

| art. | D | A | H | I | E | G | M | N | c | h | g | F1 (Kg) |
|--------------------------|-----|----|-----|----|-----|-----|-----|----|----|----|------|---------|
| ● R207080.T30P080X060CIN | 80 | 30 | 108 | 32 | 95 | 80 | 80 | 60 | 12 | 9 | 444 | 100 |
| ● R207100.T30P080X060CIN | 100 | 30 | 127 | 32 | 95 | 80 | 80 | 60 | 12 | 9 | 494 | 130 |
| ● R207125.T35P080X060CIN | 125 | 35 | 155 | 32 | 95 | 80 | 80 | 60 | 12 | 9 | 610 | 130 |
| ● R207150.T40P080X060CIN | 150 | 40 | 184 | 35 | 100 | 80 | 80 | 60 | 12 | 9 | - | 140 |
| ● R207200.T50P105X080CIN | 200 | 50 | 240 | 48 | 129 | 106 | 105 | 80 | 23 | 11 | 2246 | 300 |

Arbel Agencies LTD.

arbel
AGENCIES LIMITED

11 Ba'alei Hamelacha st. Qiryat Bialik P.O.B 1095, ZIP 2751311, ISRAEL
+972(0)48736969 ☎ +972(0)48730708 📠 info@arbel-ltd.com 📧 www.arbel-ltd.com 🌐

BATECO