

R159



POLYAMIDE MONOLITHIC WHEEL WITH RIGID STEEL FORK WITH BEARING (HEAVY DUTY)

Materials:

Wheel body (1):

Polyamide. Resistant to oils and greases.

Tread (2):

Polyamide. Resistant to oils and greases.

Surface finish:

Smooth.

Colour:

(1-2) Natural white.

(3-4-5-6) Galvanised blue.

Wheel rotation (4):

A pair of steel ball bearings is inserted to provide excellent rollability.

Bracket (3):

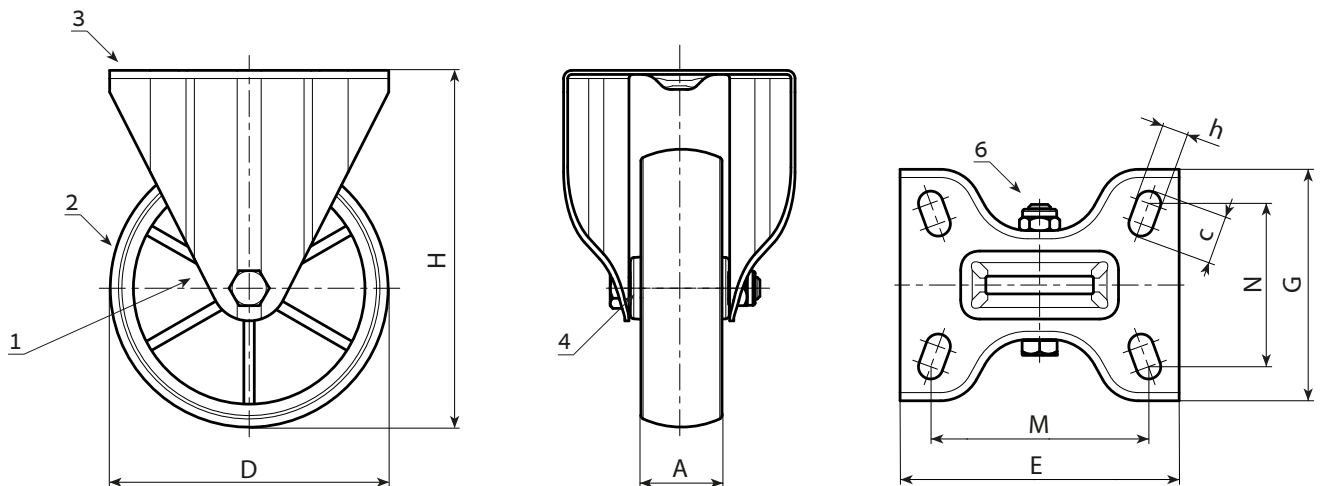
Extra-thick steel (DD13) fork, with mounting holes in the base.

Wheel fastening (6):

Steel hex head screw, coupled with a self-locking steel nut.

Special requests:

- Upon request and for a minimum of 20 pieces, the wheel can be supplied with a needle roller cage, (replace code no. R159 with code no. R149).



Stock availability as % (🛒)
90% (●) - 40% (●) - 5% (●)

🛒	art.	D	A	H	E	G	M	N	c	h	g	F1 (Kg)
●	R159100.T35P080X060	100	35	135	100	88	80	60	12	9	-	370
●	R159125.T35P080X060	125	35	161	100	88	80	60	12	9	-	380
●	R157125.T45P105X080	125	45	164	134	114	105	80	23	12	-	600
●	R159150.T40P105X080	150	40	188	134	111	105	80	23	12	-	330
●	R159150.T45P105X080	150	45	195	134	114	105	80	23	12	-	600
●	R159200.T50P105X080	200	50	242	134	114	105	80	23	12	-	600

Arbel Agencies LTD.



11 Ba'alei Hamelacha st. Qiryat Bialik P.O.B 1095, ZIP 2751311, ISRAEL
+972(0)48736969 ☎ +972(0)48730708 📠 info@arbel-ltd.com 📧 www.arbel-ltd.com 🌐

