

R157



POLYAMIDE MONOLITHIC WHEEL WITH RECTANGULAR SWIVEL STEEL PLATE WITH BEARING (HEAVY DUTY)

Materials:

Wheel body (1):

Polyamide. Resistant to oils and greases.

Tread (2):

Polyamide. Resistant to oils and greases.

Surface finish:

Smooth.

Colour:

(1-2) Natural white.

(3-4-5-6) Galvanised blue.

Wheel rotation (4):

A pair of steel ball bearings is inserted to provide excellent rollability.

Bracket (3):

Extra-thick steel (DD13) fork.

Rotating assembly (5):

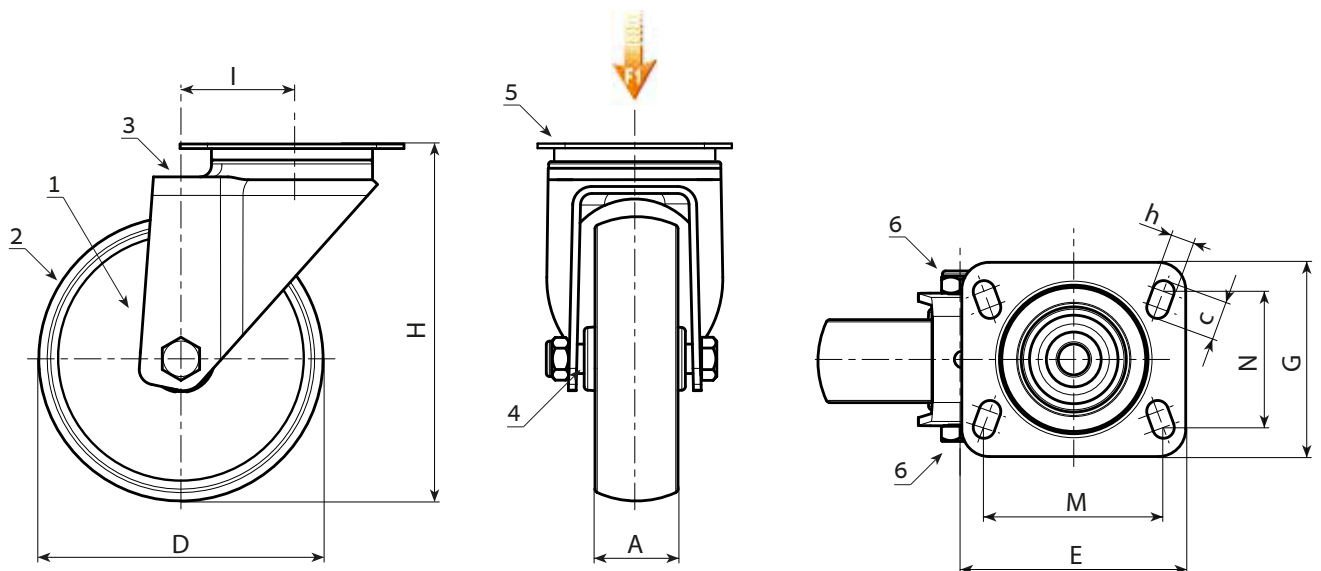
Steel rotating assembly with double ball race, assembled with steel screw grade 8.8 and rectangular swivel plate with four slotted mounting holes.

Wheel fastening (6):

Steel hex head screw, coupled with a self-locking steel nut.

Special requests:

- Upon request and for a minimum of 20 pieces, the wheel can be supplied with a needle roller cage, (replace code no. R157 with code no. R147).



Stock availability as % (🛒)
90% (●) - 40% (●) - 5% (●)

🛒	art.	D	A	H	I	E	G	M	N	c	h	g	F1 (Kg)
●	R157100.T35P080X060	100	35	135	47	100	84	80	60	12	9	-	370
●	R157125.T35P080X060	125	35	161	51	100	84	80	60	12	9	-	380
●	R157125.T45P105X080	125	45	164	61	132	110	105	80	23	12	-	600
●	R157150.T40P105X080	150	40	188	45	132	110	105	80	23	12	-	330
●	R157150.T45P105X080	150	45	195	60	132	110	105	80	23	12	-	600
●	R157200.T50P105X080	200	50	242	59	132	110	105	80	23	12	-	600

Arbel Agencies LTD.



11 Ba'alei Hamelacha st. Qiryat Bialik P.O.B 1095, ZIP 2751311, ISRAEL
+972(0)48736969 ☎ +972(0)48730708 📠 info@arbel-ltd.com 📧 www.arbel-ltd.com 🌐

