

R150



POLYAMIDE MONOLITHIC WHEEL WITH BALL BEARING WITHOUT RIG (HEAVY DUTY)

Materials:

Wheel body:

Polyamide. Resistant to oils and greases.

Tread:

Polyamide. Resistant to oils and greases.

Surface finish:

Smooth.

Colour:

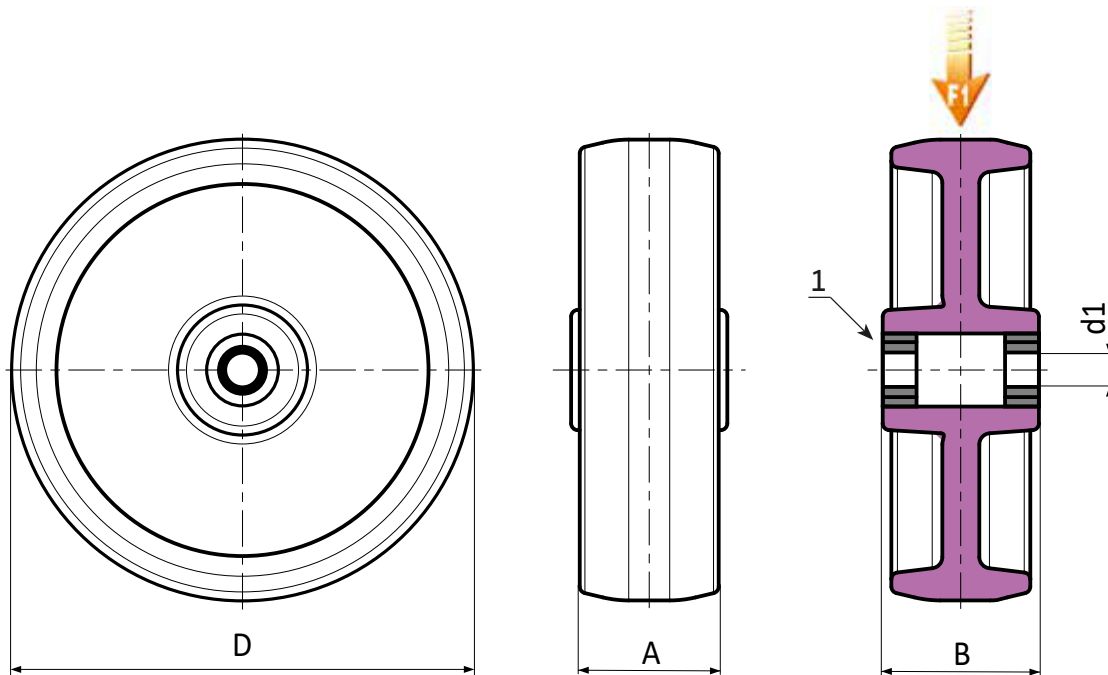
Natural white.

Wheel rotation:

(1) A pair of steel ball bearings is inserted in the wheel hub to provide excellent rollability under a heavy load.

Special requests:

- Upon request and for a minimum of 20 pieces, the wheel can be supplied with a needle roller cage, (replace code no. R150 with code no. R140).



Stock availability as % (🛒)
90% (●) - 40% (●) - 5% (●)

🛒	art.	D	A	B	d1	g	F1 (Kg)
●	R150100.T35D15	100	35	40	15	-	370
●	R150125.T35D15	125	35	40	15	-	380
●	R150125.T45D20	125	45	58	20	-	600
●	R150150.T40D20	150	40	49	20	-	380
●	R150150.T45D20	150	45	58	20	-	700
●	R150200.T50D20	200	50	58	20	-	800



Arbel Agencies LTD.

11 Ba'alei Hamelacha st. Qiryat Bialik P.O.B 1095, ZIP 2751311, ISRAEL
+972(0)48736969 ☎ +972(0)48730708 📠 info@arbel-ltd.com 🌐 www.arbel-ltd.com 🌐

