

# R108CIN

INOX

max  
4 Km/h

+80°  
-25°

PA6

UL94  
HB

RoHS  
COMPLIANT

## POLYAMIDE MONOLITHIC WHEEL WITH RECTANGULAR STAINLESS STEEL SWIVEL PLATE WITH BRAKE

### Materials:

#### Wheel body (1):

Polyamide. Resistant to oils and greases.

#### Tread (2):

Polyamide. Resistant to oils and greases.

### Surface finish:

Smooth.

### Colour:

(1-2) Natural white.

(3-4-5-6) Natural stainless steel.

### Wheel rotation (4):

The hole for the pivot pin is formed by plastic moulding. A stainless steel (Aisi 304) tube is positioned between the stud and the hole for protection.

### Bracket (3):

Stainless steel (Aisi 304) fork, with integrated brake.

### Rotating assembly (5):

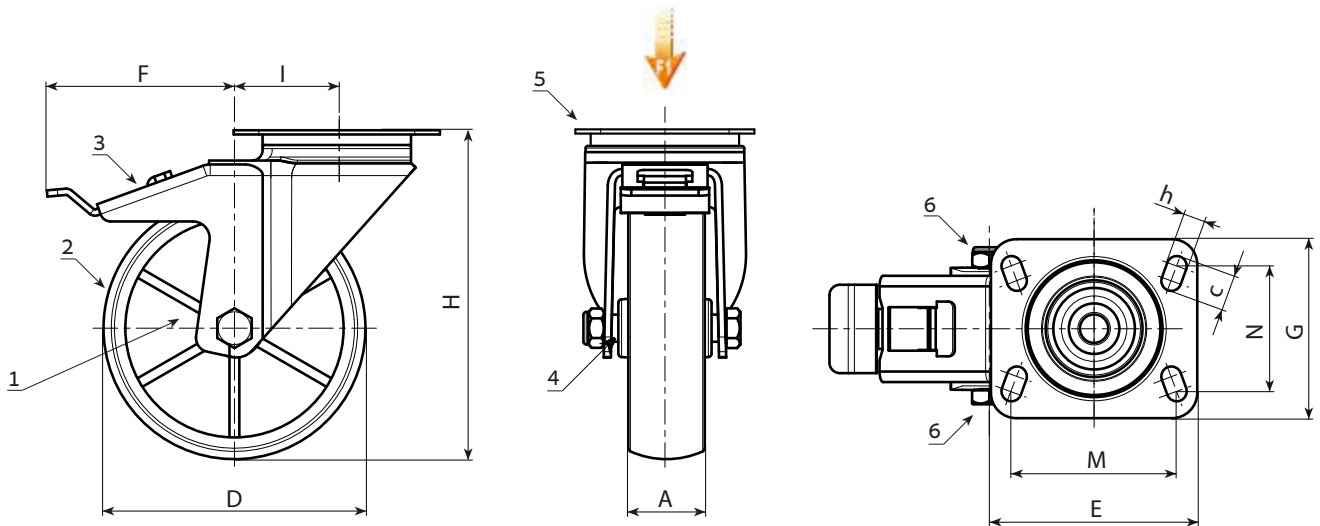
Stainless steel rotating assembly (Aisi 304) with double stainless steel (Aisi 420) ball race, and rectangular swivel plate with four slotted mounting holes.

### Wheel fastening (6):

Stainless steel (Aisi 304) hex head bolt, coupled with a stainless steel (Aisi 304) nut.

### Special requests:

- Upon request and for a minimum of 20 pieces, the wheel can be supplied with a needle roller cage, (replace code no. R108CIN with code no. R138CIN).



**BOTECO**  
**COMPONENTS**

Stock availability as % (🛒)  
90% (●) - 40% (●) - 5% (●)

🛒	art.	D	A	H	I	E	G	M	N	c	h	F	g	F1 (Kg)
●	R108080.T30P080X060CIN	80	30	108	32	95	80	80	60	12	9	110	462	100
●	R108100.T30P080X060CIN	100	30	127	32	95	80	80	60	12	9	110	568	130
●	R108125.T39P080X060CIN	125	39	155	32	95	80	80	60	12	9	113	850	130
●	R108150.T40P080X060CIN	150	40	184	35	95	100	80	60	12	9	115	-	140
●	R108175.T45P105X080CIN	175	45	228	48	129	106	105	80	23	11	150	-	300
●	R108200.T50P105X080CIN	200	50	240	48	129	106	105	80	23	11	150	2402	300

arbel  
AGENCIES LIMITED

Arbel Agencies LTD.  
11 Ba'alei Hamelacha st. Qiryat Bialik P.O.B 1095, ZIP 2751311, ISRAEL  
+972(0)48736969 ☎ +972(0)48730708 📠 info@arbel-ltd.com 📧 www.arbel-ltd.com 🌐

**BOTECO**