

# R108



## POLYAMIDE MONOLITHIC WHEEL WITH RECTANGULAR STEEL SWIVEL PLATE WITH BRAKE

### Materials:

#### Wheel body (1):

Polyamide. Resistant to oils and greases.

#### Tread (2):

Polyamide. Resistant to oils and greases.

### Surface finish:

Smooth.

### Colour:

(1-2) Natural white.

(3-4-5-6) Galvanised blue.

### Wheel rotation (4):

The hole for the pivot pin is formed by plastic moulding. A galvanised steel tube is positioned between the stud and the hole for protection.

### Bracket (3):

Steel fork (DD13), with integrated brake.

### Rotating assembly (5):

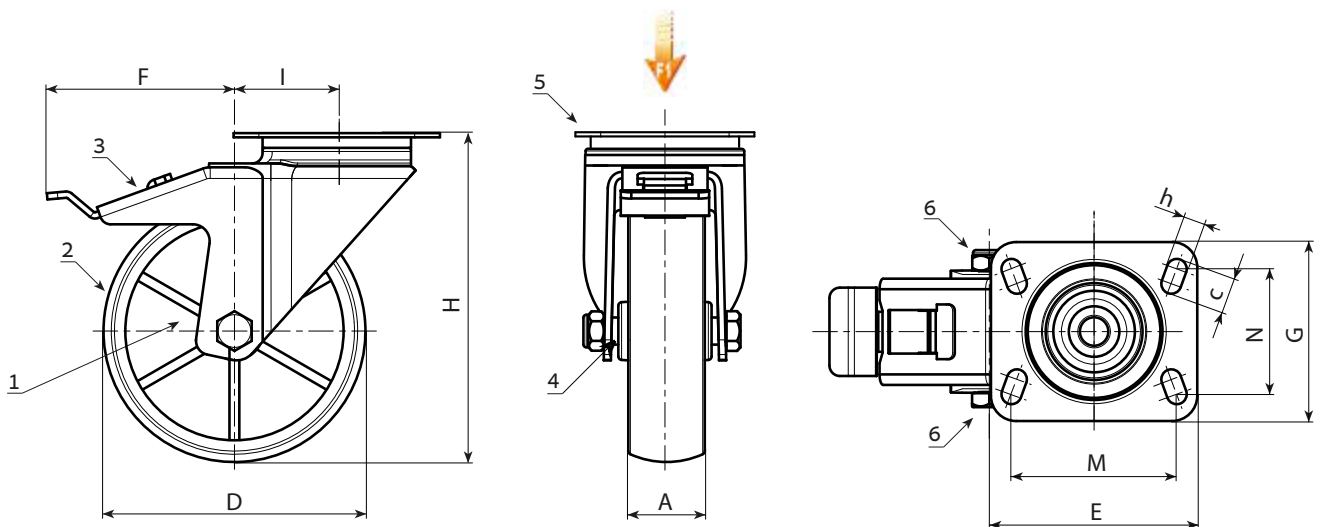
Steel rotating assembly with double ball race, and rectangular swivel plate with four slotted mounting holes.

### Wheel fastening (6):

Steel hex head screw, coupled with a steel nut.

### Special requests:

- Upon request and for a minimum of 20 pieces, the wheel can be supplied with a needle roller cage, (replace code no. R108 with code no. R138).



Stock availability as % (🛒)  
90% (●) - 40% (●) - 5% (●)

🛒	art.	D	A	H	I	E	G	M	N	c	h	F	g	F1 (Kg)
●	R108080.T30P080X060	80	30	108	32	95	80	80	60	12	9	110	545	100
●	R108100.T30P080X060	100	30	127	32	95	80	80	60	12	9	110	592	130
●	R108125.T39P080X060	125	39	155	32	95	80	80	60	12	9	113	914	130
●	R108150.T40P080X060	150	40	184	35	95	100	80	60	12	9	115	-	140
●	R108175.T45P105X080	175	45	228	48	129	106	105	80	23	11	150	2192	270
●	R108200.T50P105X080	200	50	240	48	129	106	105	80	23	11	150	2386	270

### Arbel Agencies LTD.



11 Ba'alei Hamelacha st. Qiryat Bialik P.O.B 1095, ZIP 2751311, ISRAEL  
+972(0)48736969 ☎ +972(0)48730708 📠 info@arbel-ltd.com 📧 www.arbel-ltd.com 🌐

