

# R107CIN

INOX

max  
4 Km/h

+80°  
-25°

PA6

UL94  
HB

RoHS  
COMPLIANT

## POLYAMIDE MONOLITHIC WHEEL WITH RECTANGULAR STAINLESS STEEL SWIVEL PLATE

### Materials:

#### Wheel body (1):

Polyamide. Resistant to oils and greases.

#### Tread (2):

Polyamide. Resistant to oils and greases.

#### Surface finish:

Smooth.

#### Colour:

(1-2) Natural white.

(3-4-5-6) Galvanised blue.

#### Wheel rotation (4):

The hole for the pivot pin is formed by plastic moulding. A galvanised steel tube is positioned between the stud and the hole for protection.

#### Bracket (3):

Stainless steel (Aisi 304) fork.

#### Rotating assembly (5):

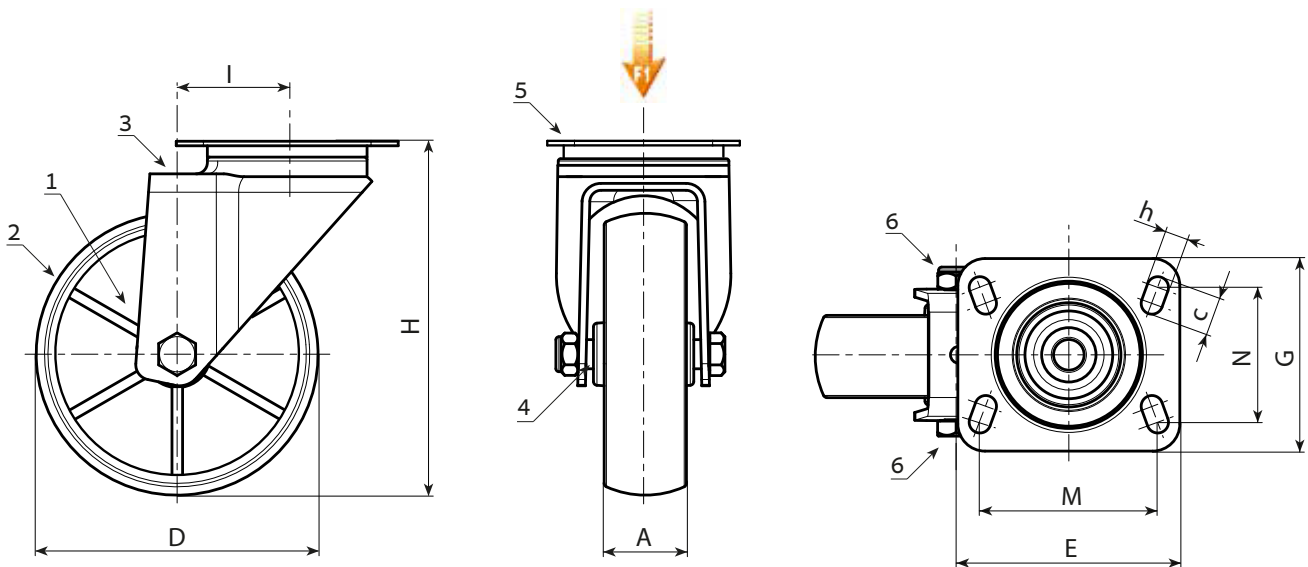
Stainless steel rotating assembly (Aisi 304) with double stainless steel (Aisi 420) ball race, and rectangular swivel plate with four slotted mounting holes.

#### Wheel fastening (6):

Stainless steel (Aisi 304) hex head bolt, coupled with a stainless steel (Aisi 304) nut.

#### Special requests:

- Upon request and for a minimum of 20 pieces, the wheel can be supplied with a needle roller cage, (replace code no. R107CIN with code no. R137CIN).



**BOTECO**  
**COMPONENTS**

Stock availability as % (🛒)  
90% (●) - 40% (●) - 5% (●)

🛒	art.	D	A	H	I	E	G	M	N	c	h	g	F1 (Kg)
●	R107080.T30P080X060CIN	80	30	108	32	95	80	80	60	12	9	410	100
●	R107100.T30P080X060CIN	100	30	127	32	95	80	80	60	12	9	450	130
●	R107125.T39P080X060CIN	125	39	155	32	95	80	80	60	12	9	888	130
●	R107150.T40P080X060CIN	150	40	184	35	95	100	80	60	12	9	-	140
●	R107175.T45P105X080CIN	175	45	228	48	129	106	105	80	23	11	1854	300
●	R107200.T50P105X080CIN	200	50	240	48	129	106	105	80	23	11	2046	300

Arbel Agencies LTD.

**arbel**  
AGENCIES LIMITED

11 Ba'alei Hamelacha st. Qiryat Bialik P.O.B 1095, ZIP 2751311, ISRAEL  
+972(0)48736969 ☎ +972(0)48730708 📠 info@arbel-ltd.com 📧 www.arbel-ltd.com 🌐

**BOTECO**