

# R102



## POLYAMIDE MONOLITHIC WHEEL WITH ROUND STEEL SWIVEL SUPPORT AND SMOOTH THROUGH HOLE WITH BRAKE

### Materials:

#### Wheel body (1):

Polyamide. Resistant to oils and greases.

#### Tread (2):

Polyamide. Resistant to oils and greases.

### Surface finish:

Smooth.

### Colour:

(1-2) Natural white.

(3-4-5-6) Galvanised blue.

### Wheel rotation (4):

The hole for the pivot pin is formed by plastic moulding. A galvanised steel tube is positioned between the stud and the hole for protection.

### Bracket (3):

Steel fork (DD13), with integrated brake.

### Rotating assembly (5):

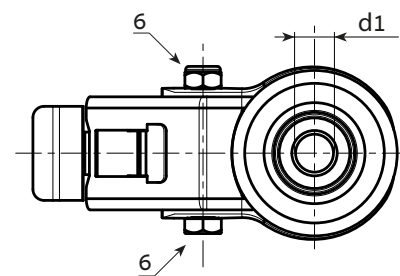
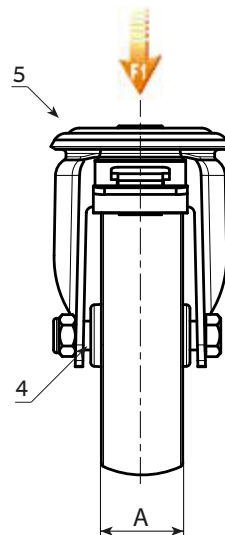
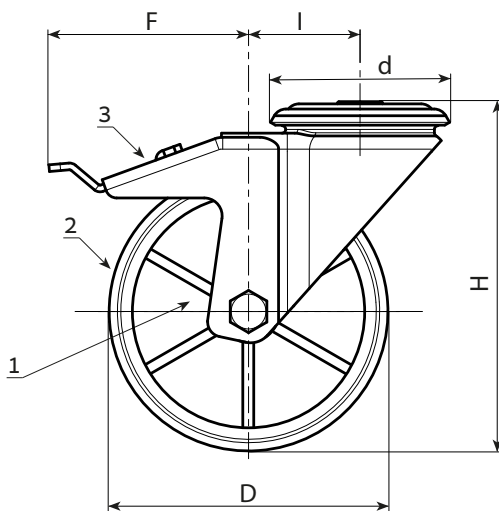
Steel rotating assembly with double ball race and smooth fixing hole, (hole tolerance H7).

### Wheel fastening (6):

Steel hex head screw, coupled with a steel nut.

### Special requests:

- Upon request and for a minimum of 20 pieces, the wheel can be supplied with a needle roller cage, (replace code no. R102 with code no. R132).



Stock availability as % (🛒)  
90% (●) - 40% (●) - 5% (●)

🛒	art.	D	A	H	I	d	F	d1H7	g	F1 (Kg)
●	R102080.T30D12	80	30	108	32	64	110	12	531	100
●	R102100.T30D12	100	30	127	32	64	110	12	512	130
●	R102125.T39D12	125	39	155	32	64	113	12	802	130
●	R102150.T40D12	150	40	184	35	65	115	12	-	140
●	R102175.T45D16	175	45	228	48	95	150	16	-	270
●	R102200.T50D16	200	50	240	48	95	150	16	2256	270



Arbel Agencies LTD.  
11 Ba'alei Hamelacha st. Qiryat Bialik P.O.B 1095, ZIP 2751311, ISRAEL  
+972(0)48736969 ☎ +972(0)48730708 📠 info@arbel-ltd.com 📧 www.arbel-ltd.com 🌐

