

# R101CIN

INOX

max  
4 Km/h

+80°  
-25°

PA6

UL94  
HB

RoHS  
COMPLIANT

## POLYAMIDE MONOLITHIC WHEEL WITH ROUND STAINLESS STEEL SWIVEL SUPPORT AND SMOOTH THROUGH HOLE

### Materials:

#### Wheel body (1):

Polyamide. Resistant to oils and greases.

#### Tread (2):

Polyamide. Resistant to oils and greases.

### Surface finish:

Smooth.

### Colour:

(1-2) Natural white.

(3-4-5-6) Natural stainless steel.

### Wheel rotation (4):

The hole for the pivot pin is formed by plastic moulding. A stainless steel (Aisi 304) tube is positioned between the stud and the hole for protection.

### Bracket (3):

Stainless steel (Aisi 304) fork.

### Rotating assembly (5):

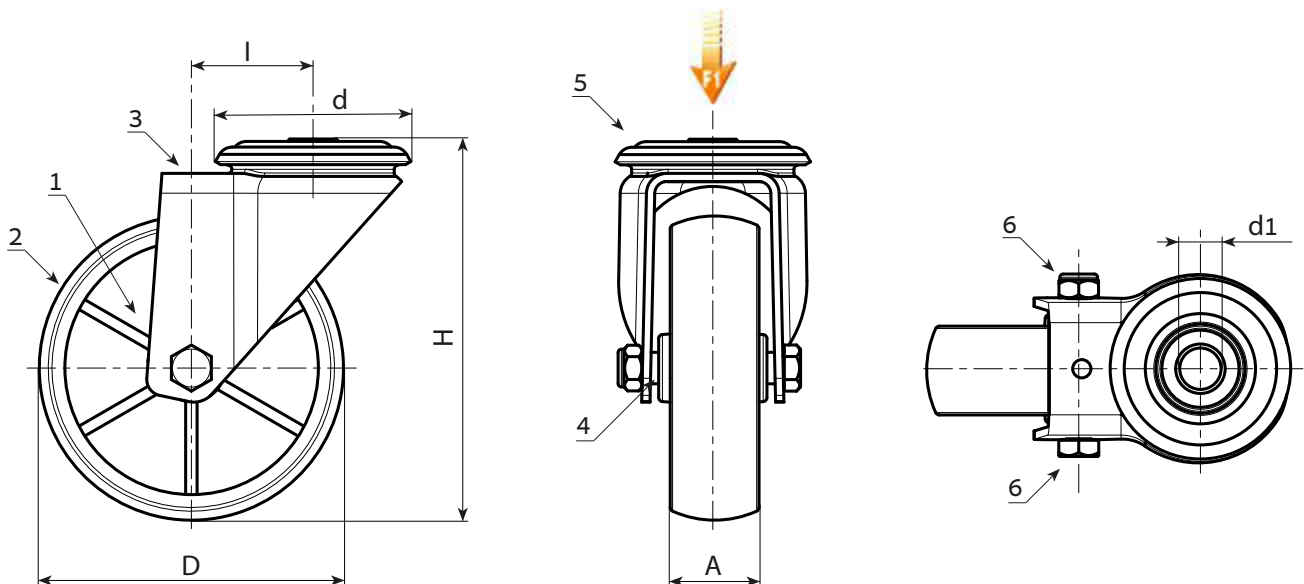
Stainless steel (Aisi 304) rotating assembly with double stainless steel (Aisi 420) ball race and smooth fixing hole, (hole tolerance H7).

### Wheel fastening (6):

Stainless steel (Aisi 304) hex head bolt, coupled with a stainless steel (Aisi 304) nut.

### Special requests:

- Upon request and for a minimum of 20 pieces, the wheel can be supplied with a needle roller cage, (replace code no. R101CIN with code no. R131CIN).



**BOTECO**  
**COMPONENTS**

Stock availability as % (🛒)  
90% (●) - 40% (●) - 5% (●)

🛒	art.	D	A	H	I	d	d1H7	g	F1 (Kg)
●	R101080.T30D12CIN	80	30	108	32	64	12	340	100
●	R101100.T30D12CIN	100	30	127	32	64	12	522	130
●	R101125.T39D12	125	39	155	32	64	12	513	130
●	R101150.T40D12CIN	150	40	184	35	65	12	-	140
●	R101175.T45D16CIN	175	45	228	48	95	16	-	300
●	R101200.T50D16CIN	200	50	240	48	95	16	-	300

**arbel**  
AGENCIES LIMITED

Arbel Agencies LTD.

11 Ba'alei Hamelacha st. Qiryat Bialik P.O.B 1095, ZIP 2751311, ISRAEL  
+972(0)48736969 ☎ +972(0)48730708 📠 info@arbel-ltd.com 📧 www.arbel-ltd.com 🌐

**BOTECO**