

# R100

## POLYAMIDE MONOLITHIC WHEEL (WITHOUT RIG)



**Materials:**

**Wheel body:**

Polyamide. Resistant to oils and greases.

**Tread:**

Polyamide. Resistant to oils and greases.

**Surface finish:**

Smooth.

**Colour:**

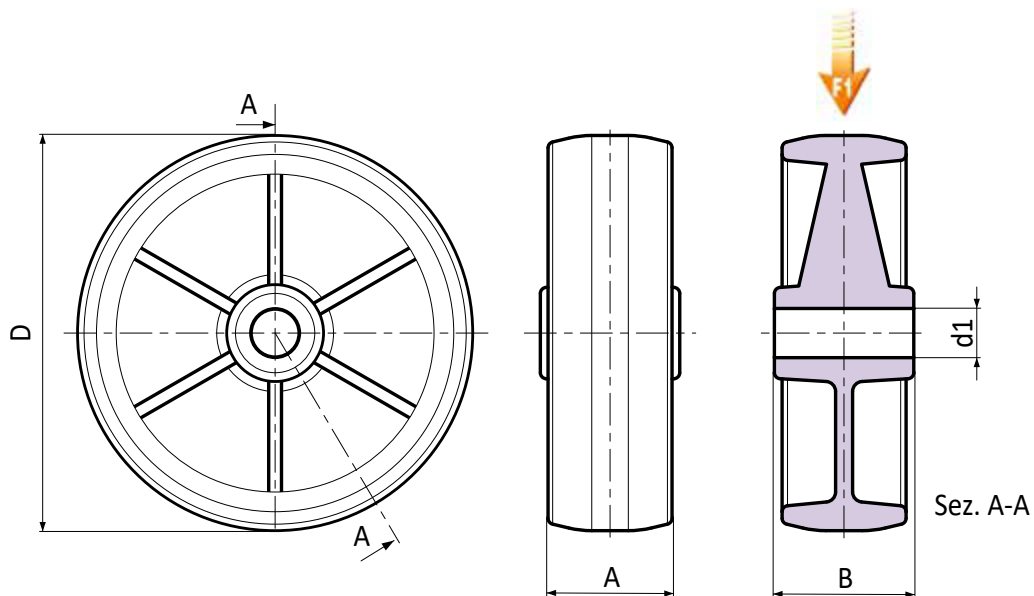
Natural white.

**Wheel rotation:**

The hole for the pivot pin is formed by plastic moulding.

**Special requests:**

- Upon request and for a minimum of 20 pieces, the wheel can be supplied with a needle roller cage, (replace code no. R100 with code no. R130).



Stock availability as % (🛒)  
90% (●) - 40% (●) - 5% (●)

🛒	art.	D	A	B	d1	g	F1 (Kg)
●	R100080.T30D12	80	30	39	12	60	100
●	R100100.T30D12	100	30	39	12	96	130
●	R100125.T39D15	125	39	44	15	206	200
●	R100150.T40D20	150	40	45	20	300	250
●	R100175.T45D20	175	45	58	20	488	300
●	R100200.T50D20	200	50	58	20	576	380



Arbel Agencies LTD.  
11 Ba'alei Hamelacha st. Qiryat Bialik P.O.B 1095, ZIP 2751311, ISRAEL  
+972(0)48736969 ☎ +972(0)48730708 📠 info@arbel-ltd.com 📧 www.arbel-ltd.com 🌐

