

# Q284

NEW



PA6  
+G.F.

UL94  
HB

RoHS  
COMPLIANT

## 4-LOBE WASHER WITH THROUGH-HOLE INSERT AND CENTRAL CAP

### Materials:

Reinforced polyamide. Resistant to oils and greases.

### Surface finish:

Satin.

### Colour:

Black (RAL 9011).

### Central cap:

Grey polyamide (RAL 7035 code 13).

### Alternative cap colours:

Orange (RAL 2004 code 02).  
Blue (RAL 5015 code 07).  
Yellow (RAL 1021 code 10).  
Green (RAL 6024 code 17).  
Red (RAL 3000 code 16).  
Black (RAL 9011 code 01).

### Inserts:

#### Version Q284 TM:

Brass insert with threaded through hole (thread tolerance 6H).

#### Version Q284 TQ:

Brass insert with square through bore (bore tolerance H7).

#### Version Q284 TQ-PP:

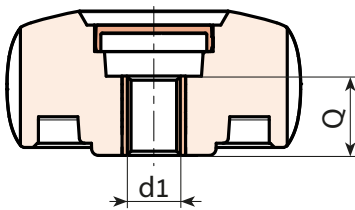
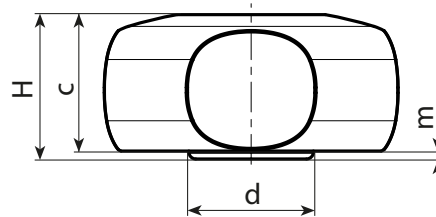
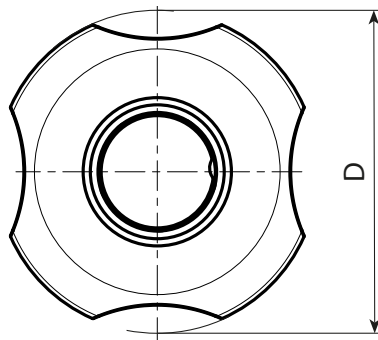
Without insert, with smooth through square hole obtained by moulding the plastic.

### Special requests:

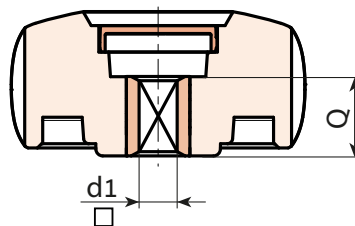
- Upon request and for special quantities inserts can be supplied in different materials.
- Upon request and for special quantities available in the colours indicated in the chart [page].



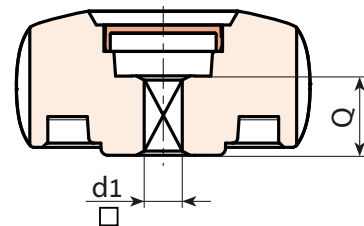
Stock availability as % (🛒)  
90% (●) - 40% (●) - 5% (●)



TM



TQ



TQ-PP

# Q284

**NEW**

+135°  
-30°

PA6  
+G.F.

UL94  
HB

RoHS  
COMPLIANT

## 4-LOBE WASHER WITH THROUGH-HOLE INSERT AND CENTRAL CAP



### Version Q284 TM: With brass insert and threaded through hole

Stock availability as % (🛒)  
90% (●) - 40% (●) - 5% (●)

| 🛒 | art.           | D    | H  | d    | d2 | d3 | c    | m   | d1 <sub>6H</sub> | Q  | 📦 |
|---|----------------|------|----|------|----|----|------|-----|------------------|----|---|
| ● | Q28440.TM0801P | 40.5 | 20 | 17   | 18 | 13 | 19   | 1   | M8               | 15 | - |
| ● | Q28440.TM1001P | 40.5 | 20 | 17   | 18 | 13 | 19   | 1   | M10              | 15 | - |
| ● | Q28450.TM0801P | 49   | 23 | 20   | 20 | 15 | 22   | 1   | M8               | 15 | - |
| ● | Q28460.TM1001P | 59   | 27 | 23   | 22 | 18 | 22,5 | 1,5 | M10              | 15 | - |
| ● | Q28460.TM1201P | 59   | 27 | 23   | 22 | 18 | 22,5 | 1,5 | M12              | 15 | - |
| ● | Q28480.TM1001P | 79   | 26 | 30,5 | 22 | 20 | 24   | 2   | M10              | 15 | - |
| ● | Q28480.TM1201P | 79   | 26 | 30,5 | 22 | 20 | 24   | 2   | M12              | 15 | - |

### Version Q284 TQ: With brass insert and SQUARE hole

| 🛒 | art.           | D    | H  | d    | d2 | d3 | c    | m   | d1 <sub>H7</sub> | Q  | 📦 |
|---|----------------|------|----|------|----|----|------|-----|------------------|----|---|
| ● | Q28440.TQ0601P | 40.5 | 20 | 17   | 18 | 13 | 19   | 1   | 6                | 15 | - |
| ● | Q28450.TQ0601P | 49   | 23 | 20   | 20 | 15 | 22   | 1   | 6                | 15 | - |
| ● | Q28450.TQ0701P | 49   | 23 | 20   | 20 | 15 | 22   | 1   | 7                | 15 | - |
| ● | Q28460.TQ0601P | 59   | 27 | 23   | 22 | 18 | 22,5 | 1,5 | 6                | 15 | - |
| ● | Q28460.TQ0701P | 59   | 27 | 23   | 22 | 18 | 22,5 | 1,5 | 7                | 15 | - |
| ● | Q28460.TQ0801P | 59   | 27 | 23   | 22 | 18 | 22,5 | 1,5 | 8                | 15 | - |
| ● | Q28480.TQ0701P | 79   | 26 | 30,5 | 22 | 20 | 24   | 2   | 7                | 15 | - |
| ● | Q28480.TQ0801P | 79   | 26 | 30,5 | 22 | 20 | 24   | 2   | 8                | 15 | - |
| ● | Q28480.TQ0901P | 79   | 26 | 30,5 | 22 | 20 | 24   | 2   | 9                | 15 | - |
| ● | Q28480.TQ1001P | 79   | 26 | 30,5 | 22 | 20 | 24   | 2   | 10               | 15 | - |

### Version Q284 TQ-PP: With SQUARE hole in the plastic

| 🛒 | art.            | D    | H  | d    | d2 | d3 | c    | m   | d1 <sub>±0,1</sub> | Q  | 📦 |
|---|-----------------|------|----|------|----|----|------|-----|--------------------|----|---|
| ● | Q28440.TQ0601PP | 40.5 | 20 | 17   | 18 | 13 | 19   | 1   | 6                  | 15 | - |
| ● | Q28450.TQ0601PP | 49   | 23 | 20   | 20 | 15 | 22   | 1   | 6                  | 15 | - |
| ● | Q28450.TQ0701PP | 49   | 23 | 20   | 20 | 15 | 22   | 1   | 7                  | 15 | - |
| ● | Q28460.TQ0601PP | 59   | 27 | 23   | 22 | 18 | 22,5 | 1,5 | 6                  | 15 | - |
| ● | Q28460.TQ0701PP | 59   | 27 | 23   | 22 | 18 | 22,5 | 1,5 | 7                  | 15 | - |
| ● | Q28460.TQ0801PP | 59   | 27 | 23   | 22 | 18 | 22,5 | 1,5 | 8                  | 15 | - |
| ● | Q28480.TQ0701PP | 79   | 26 | 30,5 | 22 | 20 | 24   | 2   | 7                  | 15 | - |
| ● | Q28480.TQ0801PP | 79   | 26 | 30,5 | 22 | 20 | 24   | 2   | 8                  | 15 | - |
| ● | Q28480.TQ0901PP | 79   | 26 | 30,5 | 22 | 20 | 24   | 2   | 9                  | 15 | - |
| ● | Q28480.TQ1001PP | 79   | 26 | 30,5 | 22 | 20 | 24   | 2   | 10                 | 15 | - |

Arbel Agencies LTD.



11 Ba'alei Hamelacha st. Qiryat Bialik P.O.B 1095, ZIP 2751311, ISRAEL  
+972(0)48736969 ☎ +972(0)48730708 📠 info@arbel-ltd.com 📧 www.arbel-ltd.com 🌐

