

# Q283

NEW



PA6  
+G.F.

UL94  
HB



## 4-LOBE WASHER WITH THREADED THROUGH-HOLE INSERT

### Materials:

Reinforced polyamide. Resistant to oils and greases.

### Surface finish:

Satin.

### Colour:

Black (RAL 9011).

### Inserts:

#### Version Q283 TM:

Brass insert with threaded through hole (thread tolerance 6H).

#### Version Q283 TQ:

Brass insert with square through bore (bore tolerance H7).

#### Version Q283 TQ-PP:

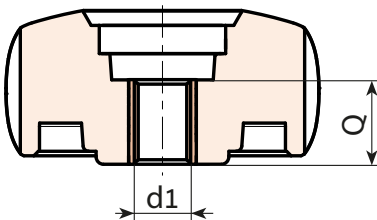
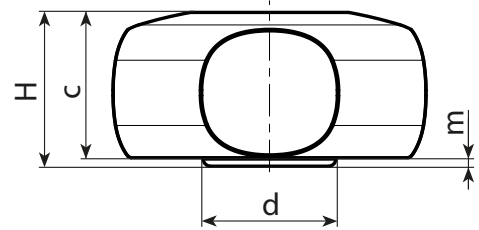
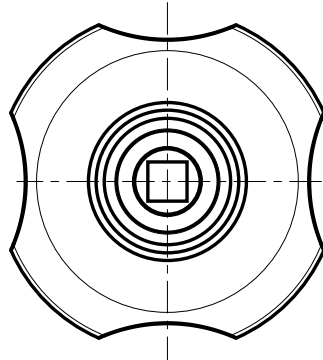
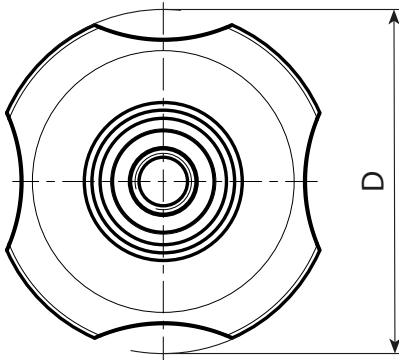
Without insert, with smooth through square hole obtained by moulding the plastic.

### Special requests:

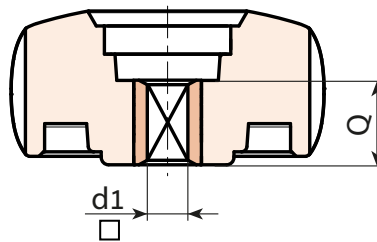
- Upon request and for special quantities inserts can be supplied in different materials.
- Upon request and for special quantities available in the colours indicated in the chart [page].



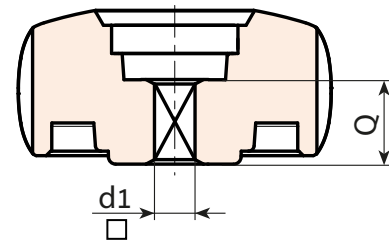
Stock availability as % (🛒)  
90% (●) - 40% (●) - 5% (●)



TM



TQ



TQ-PP

# Q283

NEW

+135°  
-30°

PA6  
+G.F.

UL94  
HB

RoHS  
COMPLIANT

## 4-LOBE WASHER WITH THREADED THROUGH-HOLE INSERT



### Version Q283 TM: With brass insert and threaded through hole

Stock availability as % (🛒)  
90% (●) - 40% (●) - 5% (●)

🛒	art.	D	H	d	d2	d3	c	m	d1 <sub>6H</sub>	Q	📦
●	Q28340.TM0801P	40.5	20	17	18	13	19	1	M8	15	-
●	Q28340.TM1001P	40.5	20	17	18	13	19	1	M10	15	-
●	Q28350.TM0801P	49	23	20	20	15	22	1	M8	15	-
●	Q28360.TM1001P	59	27	23	22	18	22,5	1,5	M10	15	-
●	Q28360.TM1201P	59	27	23	22	18	22,5	1,5	M12	15	-
●	Q28380.TM1001P	79	26	30,5	22	20	24	2	M10	15	-
●	Q28380.TM1201P	79	26	30,5	22	20	24	2	M12	15	-

### Version Q283 TQ: With brass insert and SQUARE hole

🛒	art.	D	H	d	d2	d3	c	m	d1 <sub>H7</sub>	Q	📦
●	Q28340.TQ0601P	40.5	20	17	18	13	19	1	6	15	-
●	Q28350.TQ0601P	49	23	20	20	15	22	1	6	15	-
●	Q28350.TQ0701P	49	23	20	20	15	22	1	7	15	-
●	Q28360.TQ0601P	59	27	23	22	18	22,5	1,5	6	15	-
●	Q28360.TQ0701P	59	27	23	22	18	22,5	1,5	7	15	-
●	Q28360.TQ0801P	59	27	23	22	18	22,5	1,5	8	15	-
●	Q28380.TQ0701P	79	26	30,5	22	20	24	2	7	15	-
●	Q28380.TQ0801P	79	26	30,5	22	20	24	2	8	15	-
●	Q28380.TQ0901P	79	26	30,5	22	20	24	2	9	15	-
●	Q28380.TQ1001P	79	26	30,5	22	20	24	2	10	15	-

### Version Q283 TQ-PP: With SQUARE hole in the plastic

🛒	art.	D	H	d	d2	d3	c	m	d1 <sub>±0,1</sub>	Q	📦
●	Q28340.TQ0601PP	40.5	20	17	18	13	19	1	6	15	-
●	Q28350.TQ0601PP	49	23	20	20	15	22	1	6	15	-
●	Q28350.TQ0701PP	49	23	20	20	15	22	1	7	15	-
●	Q28360.TQ0601PP	59	27	23	22	18	22,5	1,5	6	15	-
●	Q28360.TQ0701PP	59	27	23	22	18	22,5	1,5	7	15	-
●	Q28360.TQ0801PP	59	27	23	22	18	22,5	1,5	8	15	-
●	Q28380.TQ0701PP	79	26	30,5	22	20	24	2	7	15	-
●	Q28380.TQ0801PP	79	26	30,5	22	20	24	2	8	15	-
●	Q28380.TQ0901PP	79	26	30,5	22	20	24	2	9	15	-
●	Q28380.TQ1001PP	79	26	30,5	22	20	24	2	10	15	-

Arbel Agencies LTD.

arbel  
AGENCIES LIMITED

11 Ba'alei Hamelacha st. Qiryat Bialik P.O.B 1095, ZIP 2751311, ISRAEL  
+972(0)48736969 ☎ +972(0)48730708 📠 info@arbel-ltd.com 📧 www.arbel-ltd.com 🌐

BOTECO