

Q263

KNURLED WASHER



Materials:

Reinforced polyamide.
Resistant to oils and greases.

Surface:

Satin.

Colour:

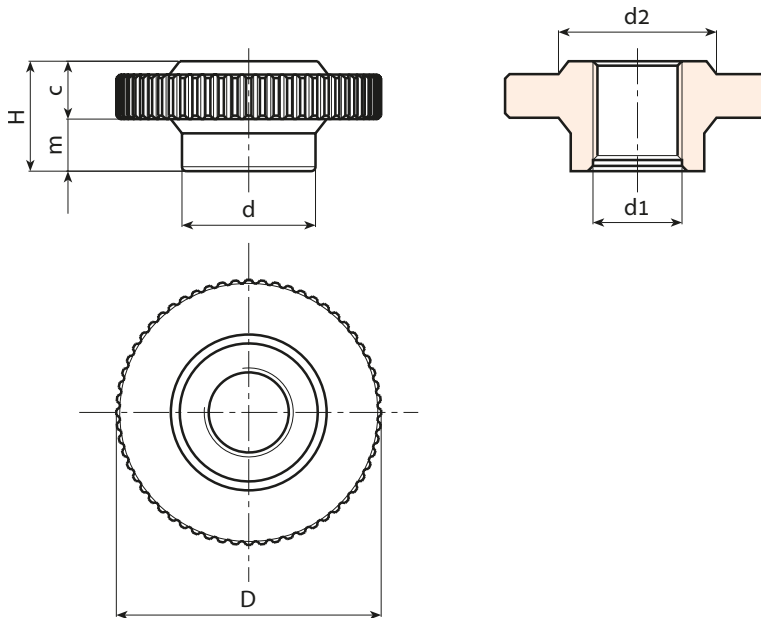
Black (RAL 9011).

Hole:

Threaded through hole obtained by moulding the plastic (tolerance not applicable).

Special Requests:

- Upon request and for special quantities hole d1 can be supplied to customer's drawing.



Stock availability as % (🛒)
90% (●) - 40% (●) - 5% (●)

🛒	art.	D	H	d	c	m	d2	d1	🔒
●	Q26360.TM2001P	60	25	30	12	13	35	M20	38
●	Q26360.TM2401P	60	25	30	12	13	35	M24	35