

Q262

KNURLED WASHER



Materials:

Reinforced polyamide.
Resistant to oils and greases.

Surface:

Satin.

Colour:

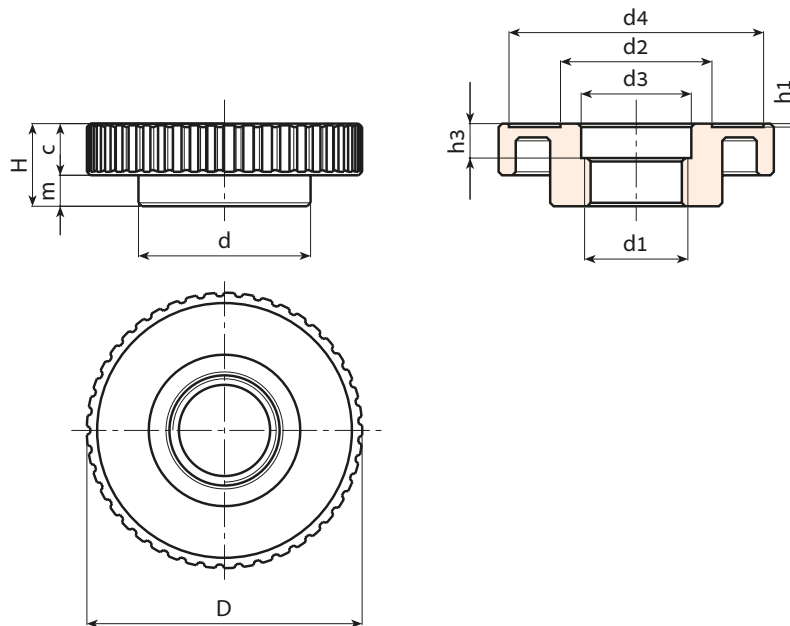
Black (RAL 9011).

Hole:

Threaded through hole obtained by moulding the plastic (tolerance not applicable).

Special Requests:

- Upon request and for special quantities hole d1 can be supplied to customer's drawing.



Stock availability as % (🛒)
90% (●) - 40% (●) - 5% (●)

🛒	art.	D	H	d	c	m	h1	h3	d2	d3	d4	d1	🛒
●	Q26280.TB3001P	81	24	50	14.5	9.5	1	10	43.5	32	74	M30x1,5	65