

Q260

KNURLED WASHER



Materials:

Phenolic resin.
Resistant to oils and greases.
Resistant to high temperatures.

Surface:

Glossy.

Colour:

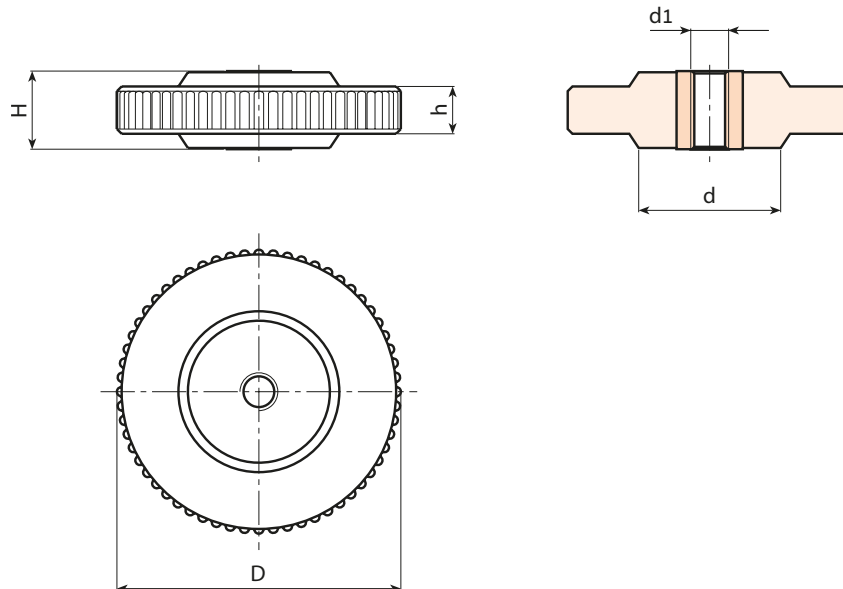
Black (RAL 9011).

Inserts:

Galvanised steel insert with threaded through hole (thread tolerance 6H).

Special Requests:

- Upon request and for special quantities inserts can be supplied in different materials.



Stock availability as % (🛒)
90% (●) - 40% (●) - 5% (●)

🛒	art.	D	H	d	h	d1 _{6H}	📦
●	Q26045.BM0601P	47	10	-	-	M6	31
●	Q26045.BM0801P	47	10	-	-	M8	32
●	Q26045.BM1001P	47	10	-	-	M10	34
●	Q26045.BM1201P	47	10	-	-	M12	35
●	Q26045.BM1401P	47	10	-	-	M14	38
●	Q26045.BM1601P	47	10	-	-	M16	42
●	Q26060.BM0801P	60	16	30	11	M8	62
●	Q26060.BM1001P	60	16	30	11	M10	65
●	Q26060.BM1201P	60	16	30	11	M12	68
●	Q26060.BM1401P	60	16	30	11	M14	70
●	Q26060.BM1601P	60	16	30	11	M16	73