

PIEANT



NON-SLIP BASE FOR MOUNTING FOOT BASE (40-50-60-80-105-130)

Materials:

Thermoplastic rubber SBS 75 Shore (only in black RAL 9011).

Resistant to oils and greases.

Surface finish:

Smooth.

Colour:

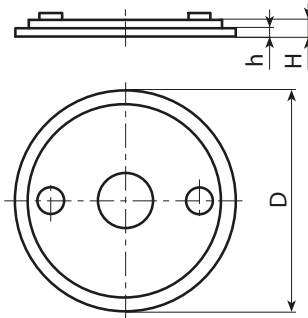
Black (RAL 9011).

Assembly:

Push-fit.

Special requests:

- On request the non-slip base can be glued on.



Stock availability as % (🛒)
90% (●) - 40% (●) - 5% (●)

🛒	Art.	FOR FOOT BASE	D	H	h	📦
●	PIE.ANT040S12.5SBS	PIE.040S12.4	38	8,5	3	5
●	PIE.ANT050S12.5SBS	PIE.050S12.4	48	8,5	5	6.5
●	PIE.ANT060S12.5SBS	PIE.060S12.4 - PIE.060S15	58	8,5	5	10
●	PIE.ANT080S1215SBS	PIE.080S12,4 - PIE.080S	76	9,5	5,5	17
●	PIE.ANT080S24SBS	PIE.080S24	76	9,5	5,5	25
●	PIE.ANT105S15SBS	PIE.105S15	100	9	5,5	33
●	PIE.ANT105S24SBS	PIE.105S24	100	9	5,5	69
●	PIE.ANT130S15SBS	PIE.130S15	125	9	5,5	74
●	PIE.ANT130S24SBS	PIE.130S24	125	9	5,5	112

P

PIE.ANT700



NON-SLIP BASE FOR TEARDROP MOUNTING FOOT BASE WITH LATERAL FIXING

Materials:

Thermoplastic rubber SBS 75 Shore (only in black RAL 9011).

Resistant to oils and greases.

Surface finish:

Smooth.

Colour:

Black (RAL 9011).

Assembly:

Push-fit, with glue.

Special requests:

- None.



Stock availability as % (🛒)
90% (●) - 40% (●) - 5% (●)

🛒	Art.	FOR FOOT BASE	D	H	A	📦
●	PIE.ANT700080S121524SBS	PIE.700080S125 - PIE.700080S15 - PIE.700080S24	76	5,5	115,5	23