

P916



MOUNTING FOOT WITH GROUND FIXING AND STEEL ARTICULATED STEM TYPE B - BALL R12.4 AND NON-SLIP BASE

Materials:

Reinforced polyamide. Resistant to oils and greases.

Surface finish:

Satin.

Colour:

Black (RAL 9011).

Inserts:

P916: Galvanised steel threaded and articulated stem (ball R.12.4) with milled seat for wrench (type B) (thread tolerance 6g).

P916CIN: Stainless steel threaded and articulated stem (ball R.12.4) with milled seat for wrench (type B) (Aisi 303) (thread tolerance 6g).

Non-slip base:

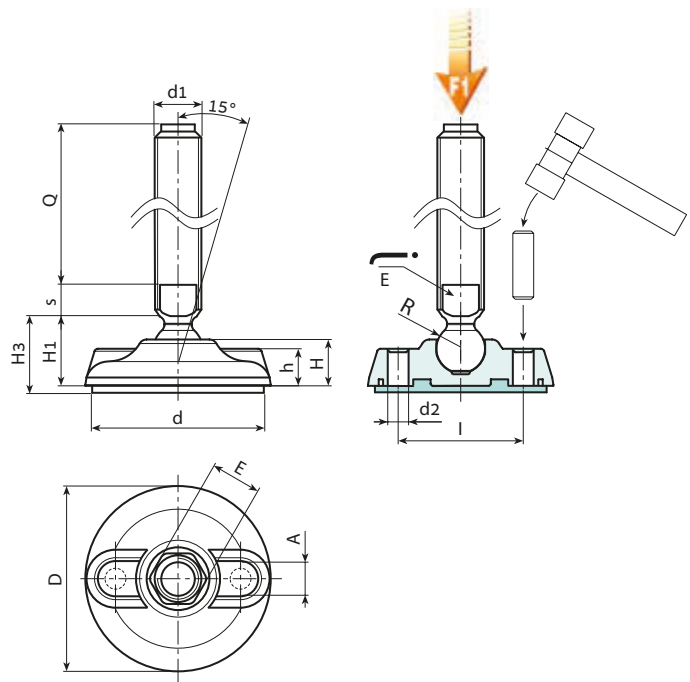
Non-slip base in thermoplastic rubber SBS 75 Shore, black RAL 9011. Resistant to oils and greases. Push-fit assembly.

Ground fixing:

The mounting foot is supplied with closed holes for anchoring to the ground. To open them pierce the plastic membrane (see drawing).

Special requests:

- Upon request and for special quantities inserts can be supplied with customised lengths.
- Upon request and for special quantities the foot can be supplied in Orange (RAL 2004).



Version P916: Mounting foot with stem type B (with milled seat for wrench) and ball R12.4 - with SBS non-slip base Stock availability as % (🛒)

Art.	D	H	I	H1	H3	h	A	E	s	d2	d	R	d1 _{6g}	Q	F1-kN	
P916080.TM16X..01	80	20	54	25.5	28.5	16	20	13	7	9	75	12.5	M16	70-90-110-130-150-170	171-194-217-240-263-286	10

Version P916CIN: Mounting foot with stem type B - stainless steel - (with milled seat for wrench) and ball R12.4 - with SBS non-slip base

Art.	D	H	I	H1	H3	h	A	E	s	d2	d	R	d1 _{6g}	Q	F1-kN	
P916080.TM16X..01CIN	80	20	54	25.5	28.5	16	20	13	7	9	75	12.5	M16	110-130-150-170	217-240-263-286	10

Enter the selected stud length in place of the two dots . . in the item code. Customised stud length available for a minimum of 100 pieces.

Attention: The expressed load limit F1 is lower than the break load by 30% and is intended as static.



Arbel Agencies LTD.
11 Ba'alei Hamelacha st. Qiryat Bialik P.O.B 1095, ZIP 2751311, ISRAEL
+972(0)48736969 ☎ +972(0)48730708 📠 info@arbel-ltd.com 📧 www.arbel-ltd.com 🌐

