

P914



MOUNTING FOOT WITH GROUND FIXING AND STEEL ARTICULATED STEM TYPE B - BALL R24

Materials:

Reinforced polyamide. Resistant to oils and greases.

Surface finish:

Satin.

Colour:

Black (RAL 9011).

Inserts:

P914:

Galvanised steel threaded and articulated stem (ball R.24) with milled seat for wrench (type B) (thread tolerance 6g).

P914CIN:

Stainless steel threaded and articulated stem (ball R.24) with milled seat for wrench (type B) (thread tolerance 6g).

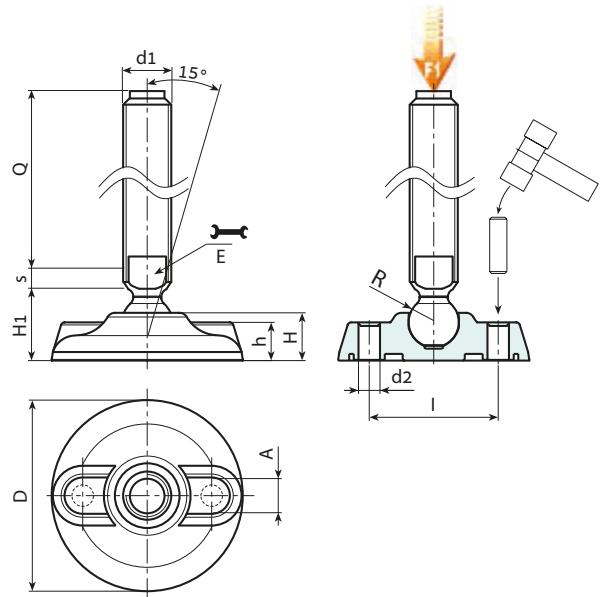
Stainless steel threaded and articulated stem (ball R.24) with milled seat for wrench (type B) (thread tolerance 6g). M24: Aisi 303; M30: Aisi 304

Ground fixing:

The mounting foot is supplied with closed holes for anchoring to the ground. To open them pierce the plastic membrane (see drawing).

Special requests:

- Upon request and for special quantities inserts can be supplied with customised lengths.
- Upon request and for special quantities the foot can be supplied in Orange (RAL 2004).



Version P914: Mounting foot with stem type B (with milled seat for wrench) and ball R24

Stock availability as % (🛒)
90% (●) - 40% (●) - 5% (●)

Art.	D	H	I	H1	h	A	E	s	d2	R	d1 _{6g}	Q	g	F1 (kN)
P914080.TM24X..01	80	20	54	25.5	16	20	19	10	9	24	M24	110-130-150-170	384-444-504-564	25
P914080.TM30X..01	80	20	54	25.5	16	20	27	12	9	24	M30	110-130-150-170-190-210	627-722-817-912-1007-1100	25
P914105.TM24X..01	105	22	74	28	18.5	21	19	10	11	24	M24	110-130-150-170	433-493-553-613	25
P914105.TM30X..01	105	22	74	28	18.5	21	27	12	11	24	M30	110-130-150-170-190-210	676*771*866*960*1055*1150	25
P914130.TM24X..01	130	24	99	30	20	21	19	10	13	24	M24	110-130-150-170	498-558-618-678	25
P914130.TM30X..01	130	24	99	30	20	21	27	12	13	24	M30	110-130-150-170-190-210	741-836-931-1025-1120-1220	25

Version P914CIN: Mounting foot with stem type B - stainless steel - (with milled seat for wrench) and ball R24



Art.	D	H	I	H1	h	A	E	s	d2	R	d1 _{6g}	Q	g	F1 (kN)
P914080.TM24X..01CIN	80	20	54	25.5	16	20	19	10	9	24	M24	110-130-150-190	384-444-504-624	25
P914080.TM30X..01CIN	80	20	54	25.5	16	20	27	12	9	24	M30	130-170-210	722-912-1100	25
P914105.TM24X..01CIN	105	22	74	28	18.5	21	19	10	11	24	M24	110-130-150-190	433-493-553-673	25
P914105.TM30X..01CIN	105	22	74	28	18.5	21	27	12	11	24	M30	130-170-210	771-960-1150	25
P914130.TM24X..01CIN	130	24	99	30	20	21	19	10	13	24	M24	110-130-150-190	498-558-618-738	25
P914130.TM30X..01CIN	130	24	99	30	20	21	27	12	13	24	M30	130-170-210	836-1025-1220	25

Enter the selected stud length in place of the two dots . . in the item code. Customised stud length available for a minimum of 100 pieces.

Attention: The expressed load limit F1 is lower than the break load by 30% and is intended as static.



Arbel Agencies LTD.

11 Ba'alei Hamelacha st. Qiryat Bialik P.O.B 1095, ZIP 2751311, ISRAEL

+972(0)48736969 ☎ +972(0)48730708 📠 info@arbel-ltd.com 📧 www.arbel-ltd.com 🌐

