

P913



MOUNTING FOOT WITH GROUND FIXING AND STEEL ARTICULATED STEM TYPE B - BALL R15

Materials:

Reinforced polyamide. Resistant to oils and greases.

Surface finish:

Satin.

Colour:

Black (RAL 9011).

Inserts:

P913:
Galvanised steel threaded and articulated stem (ball R.15) with milled seat for wrench (type B) (thread tolerance 6g).

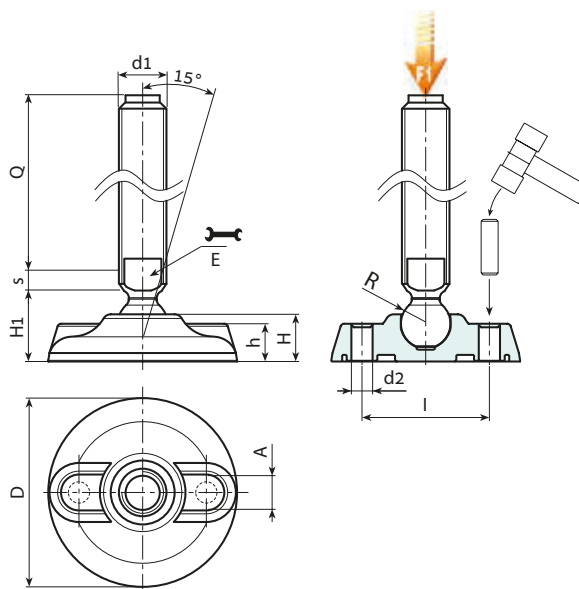
P913CIN:
Stainless steel threaded and articulated stem (ball R.15) with milled seat for wrench (type B) (Aisi 304) (thread tolerance 6g).

Ground fixing:

The mounting foot is supplied with closed holes for anchoring to the ground. To open them pierce the plastic membrane (see drawing).

Special requests:

- Upon request and for special quantities inserts can be supplied with customised lengths.
- Upon request and for special quantities the foot can be supplied in Orange (RAL 2004).



Version P913: Mounting foot with stem type B (with milled seat for wrench) and ball R15

Stock availability as % (🛒)
90% (●) - 40% (●) - 5% (●)

Art.	D	H	I	H1	h	A	E	s	d2	R	d1 _{6g}	Q	g	F1 (kN)
P913080.TM20X..01	80	20	54	25.5	16	20	16	7	9	15	M20	50-70-90-110-130-150-170-190-210	166-206-246-287-327-367-407-447-487	17
P913105.TM20X..01	105	22	74	28	18.5	21	16	7	11	15	M20	50-70-90-110-130-150-170-190-210	216-256-296-337-377-417-457-500-540	17
P913130.TM20X..01	130	24	99	30	20	21	16	7	13	15	M20	50-70-90-110-130-150-170-190-210	284-324-364-404-445-485-525-565-605	17
P913080.TM24X..01	80	20	54	25.5	16	20	19	7	9	15	M24	150-170-190-210	504-564-624-684	17
P913105.TM24X..01	105	22	74	28	18.5	21	19	7	11	15	M24	150-170-190-210	553-613-673-735	17
P913130.TM24X..01	130	24	99	30	20	21	19	7	13	15	M24	150-170-190-210	618-678-738-796	17

Version P913CIN: Mounting foot with stem type B - stainless steel - (with milled seat for wrench) and ball R15



Art.	D	H	I	H1	h	A	E	s	d2	R	d1 _{6g}	Q	g	F1 (kN)
P913080.TM20X..01CIN	80	20	54	25.5	16	20	16	7	9	15	M20	70-90-130-150-190-210	206-246-327-367-447-487	17
P913105.TM20X..01CIN	105	22	74	28	18.5	21	16	7	11	15	M20	70-90-130-150-190-210	256-296-377-417-500-540	17
P913130.TM20X..01CIN	130	24	99	30	20	21	16	7	13	15	M20	70-90-130-150-190-210	324-364-445-485-565-605	17
P913080.TM24X..01CIN	80	20	54	25.5	16	20	19	7	9	15	M24	110-150-190	384-504-624	17
P913105.TM24X..01CIN	105	22	74	28	18.5	21	19	7	11	15	M24	110-150-190	433-553-673	17
P913130.TM24X..01CIN	130	24	99	30	20	21	19	7	13	15	M24	110-150-190	498-618-738	17

Enter the selected stud length in place of the two dots . . in the item code. Customised stud length available for a minimum of 100 pieces.

Attention: The expressed load limit F1 is lower than the break load by 30% and is intended as static.



Arbel Agencies LTD.

11 Ba'alei Hamelacha st. Qiryat Bialik P.O.B 1095, ZIP 2751311, ISRAEL
+972(0)48736969 ☎ +972(0)48730708 📠 info@arbel-ltd.com 📧 www.arbel-ltd.com 🌐

