

P910



SMALL MOUNTING FOOT WITH STEEL ARTICULATED STEM TYPE B - BALL R15 AND NON-SLIP BASE

Materials:

Reinforced polyamide. Resistant to oils and greases.

Surface finish:

Satin.

Colour:

Black (RAL 9011).

Inserts:

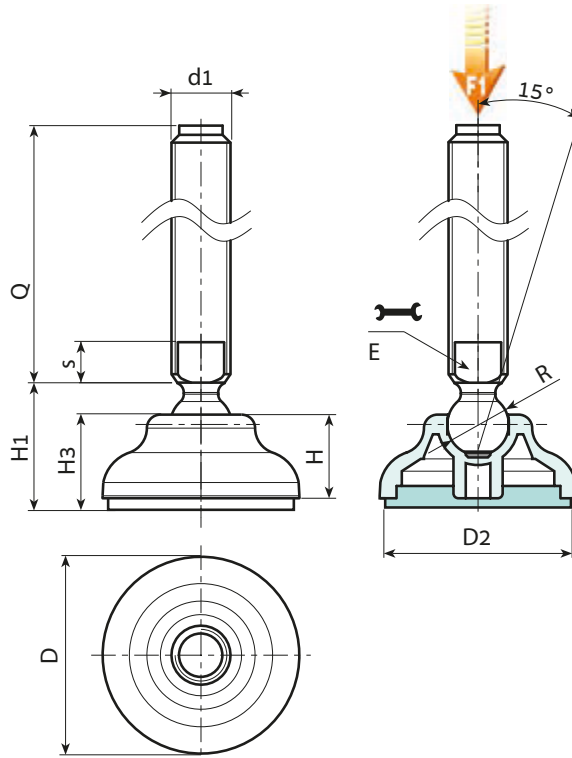
Galvanised steel threaded and articulated stem (ball R.15) with milled seat for wrench (type B) (thread tolerance 6g).

Non-slip base:

Non-slip base in thermoplastic rubber SBS 75 Shore, black RAL 9011. Resistant to oils and greases. Push-fit assembly.

Special requests:

- Upon request and for special quantities inserts can be supplied with customised lengths.
- Upon request and for special quantities the foot can be supplied in Orange (RAL 2004).



Version P910: Mounting foot with stem type B (with milled seat for wrench) and ball R15 - with SBS non-slip base

Stock availability as % (🛒)
90% (●) - 40% (●) - 5% (●)

Art.	D	D2	H	H1	H3	E	s	R	d1 _{6g}	Q	F1 (kN)	
P91060.TM20X..01	60	59	20	29	22	16	7	15	M20	50-70-90-110-130-150-170-190-210	158-198-238-280-320-360-400-440-480	13

Enter the selected stud length in place of the two dots . . in the item code. Customised stud length available for a minimum of 100 pieces. Attention: The expressed load limit F1 is lower than the break load by 30% and is intended as static.



Arbel Agencies LTD.
11 Ba'alei Hamelacha st. Qiryat Bialik P.O.B 1095, ZIP 2751311, ISRAEL
+972(0)48736969 ☎ +972(0)48730708 📠 info@arbel-ltd.com 📧 www.arbel-ltd.com 🌐

