

P909



SMALL MOUNTING FOOT WITH STEEL ARTICULATED STEM TYPE B - BALL R12.4 AND NON-SLIP BASE

Materials:

Reinforced polyamide. Resistant to oils and greases.

Surface finish:

Satin.

Colour:

Black (RAL 9011).

Inserts:

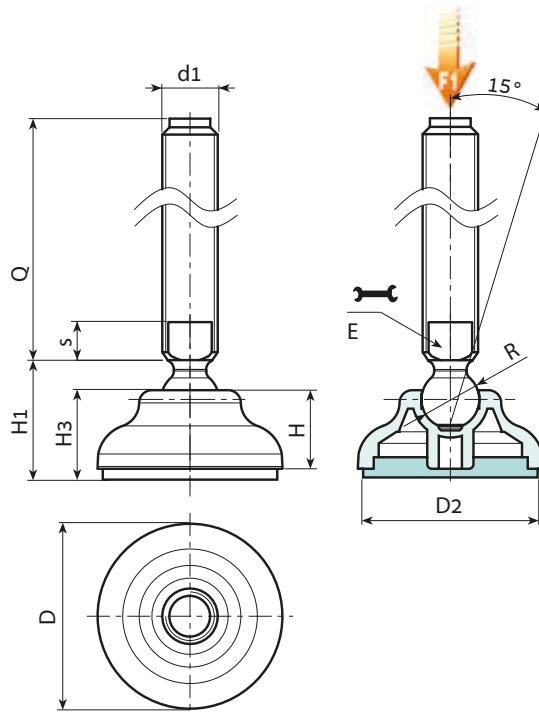
Galvanised steel threaded and articulated stem (ball R.12.4) with milled seat for wrench (type B) (thread tolerance 6g).

Non-slip base:

Non-slip base in thermoplastic rubber SBS 75 Shore, black RAL 9011. Resistant to oils and greases.

Special requests:

- Upon request and for special quantities inserts can be supplied with customised lengths.
- Upon request and for special quantities the foot can be supplied in Orange (RAL 2004).



Version P909: Mounting foot with stem type B (with milled seat for wrench) and ball R12.4 - with SBS non-slip base Stock availability as % (🛒)
90% (●) - 40% (●) - 5% (●)

| Art. | D | D2 | H | H1 | H3 | E | s | R | d1 _{6g} | Q | F1 (kN) |
|------------------|----|----|----|----|----|----|---|------|------------------|-----------------------|-------------------------|
| P90960.TM16X..01 | 60 | 59 | 20 | 29 | 22 | 13 | 7 | 12,5 | M16 | 70-90-110-130-150-170 | 139-165-191-217-243-270 |

Enter the selected stud length in place of the two dots . . in the item code. Customised stud length available for a minimum of 100 pieces.
Attention: The expressed load limit F1 is lower than the break load by 30% and is intended as static.