

# P907



## SMALL MOUNTING FOOT WITH STEEL ARTICULATED STEM TYPE B - BALL R15

### Materials:

Reinforced polyamide.  
Resistant to oils and greases.

### Surface finish:

Satin.

### Colour:

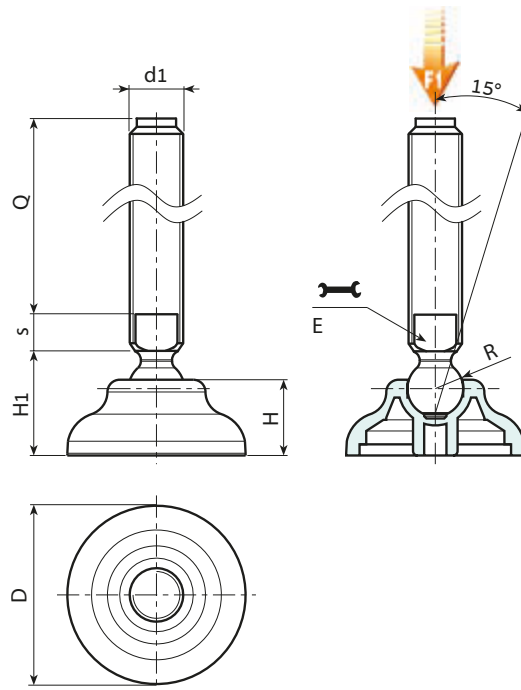
Black (RAL 9011).

### Inserts:

Galvanised steel threaded and articulated stem (ball R.15) with milled seat for wrench (type B) (thread tolerance 6g).

### Special requests:

- Upon request and for special quantities inserts can be supplied with customised lengths.
- Upon request and for special quantities the foot can be supplied in Orange (RAL 2004).



Version P907: Mounting foot with stem type B (with milled seat for wrench) and ball R15

Stock availability as % (🛒)  
90% (●) - 40% (●) - 5% (●)

Art.	D	H	H1	E	s	R	d1 <sub>6g</sub>	Q	F1 (kN)	
P90760.TM20X..01	60	20	26	16	7	15	M20	50-70-90-110-130-150-170-190-210	145-185-225-267-306-346-386-426-466	13

Enter the selected stud length in place of the two dots . . in the item code. Customised stud length available for a minimum of 100 pieces.  
Attention: The expressed load limit F1 is lower than the break load by 30% and is intended as static.



Arbel Agencies LTD.  
11 Ba'alei Hamelacha st. Qiryat Bialik P.O.B 1095, ZIP 2751311, ISRAEL  
+972(0)48736969 ☎ +972(0)48730708 📠 info@arbel-ltd.com 📧 www.arbel-ltd.com 🌐

