

P906



SMALL MOUNTING FOOT WITH STEEL ARTICULATED STEM TYPE B - BALL R12.4

Materials:

Reinforced polyamide.
Resistant to oils and greases.

Surface finish:

Satin.

Colour:

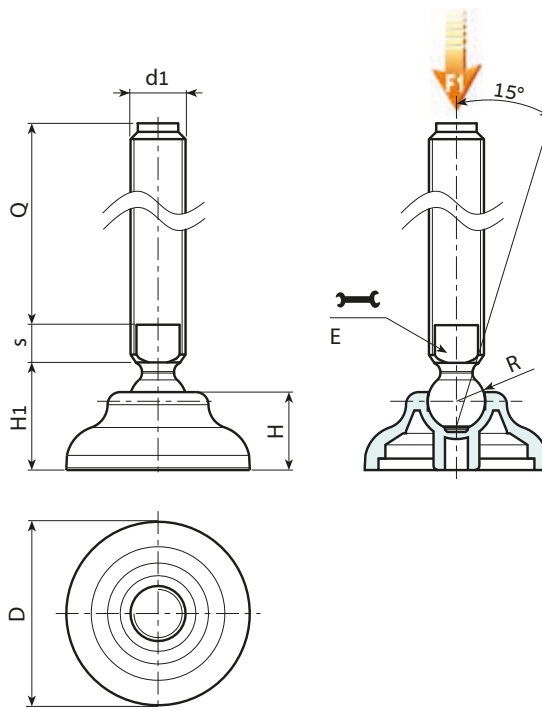
Black (RAL 9011).

Inserts:

Galvanised steel threaded and articulated stem (ball R.12.4) with milled seat for wrench (type B) (thread tolerance 6g).

Special requests:

- Upon request and for special quantities inserts can be supplied with customised lengths.
- Upon request and for special quantities the foot can be supplied in Orange (RAL 2004).



Version P906: Mounting foot with stem type B (with milled seat for wrench) and ball R12.4

Stock availability as % (🛒)
90% (●) - 40% (●) - 5% (●)

Art.	D	H	H1	E	s	R	d1 _{6g}	Q	🛒	F1 (kN)
P90660.TM16X..01	60	20	26	13	7	12.4	M16	70-90-110-130-150-170	126-152-178-204-230-256	10

Attention: The expressed load limit F1 is lower than the break load by 30% and is intended as static.

Enter the selected stud length in place of the two dots . . in the item code. Customised stud length available for a minimum of 100 pieces.