

P905



SMALL MOUNTING FOOT WITH STEEL ARTICULATED STEM TYPE A - BALL R15

Materials:

Reinforced polyamide.
Resistant to oils and greases.

Surface finish:

Satin.

Colour:

Black (RAL 9011).

Inserts:

Version P905:

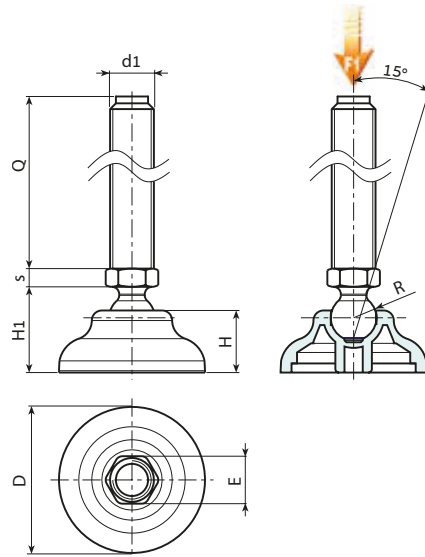
Galvanised steel threaded and articulated stem (ball R.15) with hexagonal base (thread tolerance 6g).

Version P905CIN:

Stainless steel threaded and articulated stem (ball R.15) with hexagonal base (Aisi 303) (thread tolerance 6g).

Special requests:

- Upon request and for special quantities inserts can be supplied with customised lengths.
- Upon request and for special quantities the foot can be supplied in Orange (RAL 2004).



Version P905: Mounting foot with stem type A (with hexagonal base) and ball R15

Stock availability as % (🛒)
90% (●) - 40% (●) - 5% (●)

Art.	D	H	H1	E	s	R	d1 _{6g}	Q	g	F1 (kN)
P90540.TM12X..01	40	17	23	16	6.5	15	M12	50-70-90-110	84-97-110-123	13
P90540.TM14X..01	40	17	23	16	6.5	15	M14	50-70-90-110-150	112-136-171-184-210	13
P90540.TM16X..01	40	17	23	16	6.5	15	M16	50-70-90-110-130-150-170-190	131-163-195-227-259-295-323-365	13
P90550.TM12X..01	50	18	24	16	6.5	15	M12	50-70-90-110	88-101-114-127	13
P90550.TM14X..01	50	18	24	16	6.5	15	M14	50-70-90-110-150	97-116-134-152-189	13
P90550.TM16X..01	50	18	24	16	6.5	15	M16	50-70-90-110-130-150-170-190	110-137-164-191-218-245-272-299	13
P90560.TM12X..01	60	20	26	16	6.5	15	M12	50-70-90-110	96-109-122-135	13
P90560.TM14X..01	60	20	26	16	6.5	15	M14	50-70-90-110-150	105-124-142-160-197	13
P90560.TM16X..01	60	20	26	16	6.5	15	M16	50-70-90-110-130-150-170-190	118-145-172-199-226-253-280-307	13

Version P905CIN: Mounting foot with stem type A (with hexagonal base) and ball R12.4 - stainless steel

INOX

Art.	D	H	H1	E	s	R	d1 _{6g}	Q	g	F1 (kN)
P90540.TM12X..01CIN	40	17	23	16	6.5	15	M12	70-90-110	97-110-121	13
P90540.TM14X..01CIN	40	17	23	16	6.5	15	M14	70-110-130	112-148-165	13
P90540.TM16X..01CIN	40	17	23	16	6.5	15	M16	50-70-90-110-130-150-170-190	106-133-160-187-211-240-268-295	13
P90550.TM12X..01CIN	50	18	24	16	6.5	15	M12	70-90-110	101-114-125	13
P90550.TM14X..01CIN	50	18	24	16	6.5	15	M14	70-110-130	116-152-170	13
P90550.TM16X..01CIN	50	18	24	16	6.5	15	M16	50-70-90-110-130-150-170-190	110-137-164-191-215-245-272-299	13
P90560.TM12X..01CIN	60	20	26	16	6.5	15	M12	70-90-110	109-122-133	13
P90560.TM14X..01CIN	60	20	26	16	6.5	15	M14	70-110-130	124-160-178	13
P90560.TM16X..01CIN	60	20	26	16	6.5	15	M16	50-70-90-110-130-150-170-190	118-145-172-199-226-253-280-307	13

Attention: The expressed load limit F1 is lower than the break load by 30% and is intended as static.

Enter the selected stud length in place of the two dots . . in the item code. Customised stud length available for a minimum of 100 pieces.

Arbel Agencies LTD.



11 Ba'alei Hamelacha st. Qiryat Bialik P.O.B 1095, ZIP 2751311, ISRAEL
+972(0)48736969 ☎ +972(0)48730708 📠 info@arbel-ltd.com ✉ www.arbel-ltd.com 🌐

