

P903



MOUNTING FOOT WITH GROUND FIXING AND STEEL ARTICULATED STEM TYPE A - BALL R15 AND NON-SLIP BASE

Materials:

Reinforced polyamide. Resistant to oils and greases.

Surface finish:

Satin.

Colour:

Black (RAL 9011).

Inserts:

P903:
Galvanised steel threaded and articulated stem (ball R.15) with hexagonal base (thread tolerance 6g).

P903CIN:
Stainless steel threaded and articulated stem (ball R.15) with hexagonal base (Aisi 303) (thread tolerance 6g).

Non-slip base:

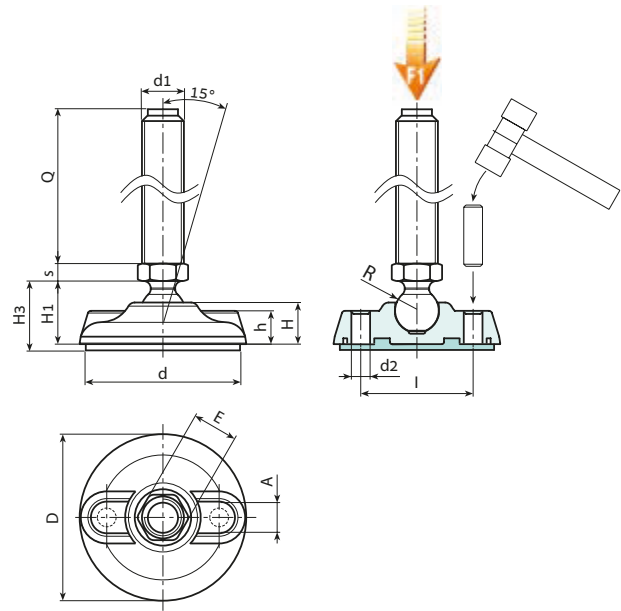
Non-slip base in thermoplastic rubber SBS 75 Shore, black RAL 9011. Resistant to oils and greases. Push-fit assembly.

Ground fixing:

The mounting foot is supplied with closed holes for anchoring to the ground. To open them pierce the plastic membrane (see drawing).

Special requests:

- Upon request and for special quantities inserts can be supplied with customised lengths.
- Upon request and for special quantities the foot can be supplied in Orange (RAL 2004).



Version P903: Mounting foot with stem type A (with hexagonal base) and ball R15 - with SBS non-slip base

Stock availability as % (🛒)
90% (●) - 40% (●) - 5% (●)

Art.	D	H	I	H1	H3	h	A	E	s	d2	d	R	d1 _{6g}	Q	g	F1-kN
P903080.TM12X..01	80	20	54	25.5	28.5	16	20	16	6.5	9	75	15	M12	50-70-90-110	142-155-168-181	13
P903080.TM14X..01	80	20	54	25.5	28.5	16	20	16	6.5	9	75	15	M14	50-70-90-110-150	151-170-188-206-242	13
P903080.TM16X..01	80	20	54	25.5	28.5	16	20	16	6.5	9	75	15	M16	50-70-90-110-130-150-170-190	164-191-218-245-272-299-326-353	13
P903105.TM12X..01	105	22	74	28	32	18.5	21	16	6.5	11	101	15	M12	50-70-90-110	236-249-262-275	15
P903105.TM14X..01	105	22	74	28	32	18.5	21	16	6.5	11	101	15	M14	50-70-90-110-150	245-264-282-300-337	15
P903105.TM16X..01	105	22	74	28	32	18.5	21	16	6.5	11	101	15	M16	50-70-90-110-130-150-170-190	258-285-312-339-366-393-420-447	15
P903130.TM12X..01	130	24	99	30	35	20	21	16	6.5	13	126	15	M12	50-70-90-110	346-359-372-385	17
P903130.TM14X..01	130	24	99	30	35	20	21	16	6.5	13	126	15	M14	50-70-90-110-150	356-375-393-411-447	17
P903130.TM16X..01	130	24	99	30	35	20	21	16	6.5	13	126	15	M16	50-70-90-110-130-150-170-190	368-395-422-450-477-504-531-558	17

Version P903CIN: Mounting foot with stem type A - stainless steel - (with hexagonal base) and ball R15 - with SBS non-slip base



Art.	D	H	I	H1	H3	h	A	E	s	d2	d	R	d1 _{6g}	Q	g	F1-kN
P903080.TM12X..01CIN	80	20	54	25.5	28.5	16	20	16	6.5	9	75	15	M12	70-90-110	155-168-181	13
P903080.TM14X..01CIN	80	20	54	25.5	28.5	16	20	16	6.5	9	75	15	M14	70-110-130	170-206-224	13
P903080.TM16X..01CIN	80	20	54	25.5	28.5	16	20	16	6.5	9	75	15	M16	50-70-90-110-130-150-170-190	164-191-218-245-272-299-326-353	13
P903105.TM12X..01CIN	105	22	74	28	32	18.5	21	16	6.5	11	101	15	M12	70-90-110	249-262-275	15
P903105.TM14X..01CIN	105	22	74	28	32	18.5	21	16	6.5	11	101	15	M14	70-110-130	264-300-318	15
P903105.TM16X..01CIN	105	22	74	28	32	18.5	21	16	6.5	11	101	15	M16	50-70-90-110-130-150-170-190	258-285-312-339-366-393-420-447	15
P903130.TM12X..01CIN	130	24	99	30	35	20	21	16	6.5	13	126	15	M12	70-90-110	359-372-385	17
P903130.TM14X..01CIN	130	24	99	30	35	20	21	16	6.5	13	126	15	M14	70-110-130	375-411-429	17
P903130.TM16X..01CIN	130	24	99	30	35	20	21	16	6.5	13	126	15	M16	50-70-90-110-130-150-170-190	368-395-422-450-477-504-531-558	17