

P901



SMALL MOUNTING FOOT WITH STEEL ARTICULATED STEM TYPE A - BALL R12.4 AND NON-SLIP BASE

Materials:

Reinforced polyamide.
Resistant to oils and greases.

Surface finish:

Satin.

Colour:

Black (RAL 9011).

Inserts:

Version P901:

Galvanised steel threaded and articulated stem (ball R.12.4) with hexagonal base (thread tolerance 6g).

Version P901CIN:

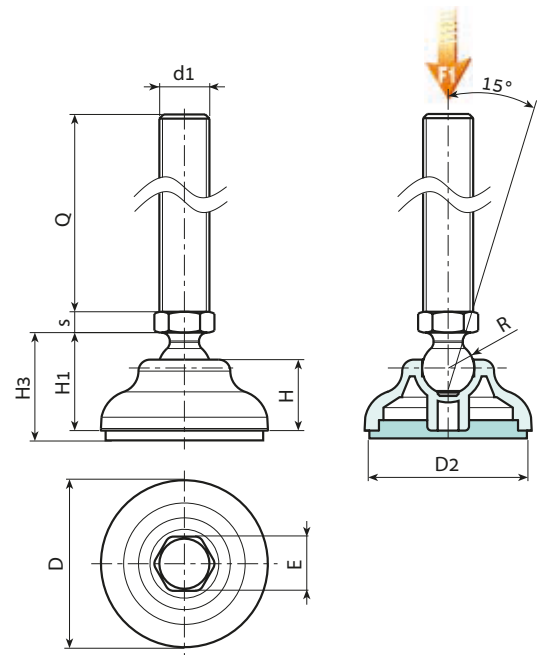
Stainless steel threaded and articulated stem (ball R.12.4) with hexagonal base (Aisi 303) (thread tolerance 6g).

Non-slip base:

Non-slip base in thermoplastic rubber SBS 75 Shore, black RAL 9011.
Resistant to oils and greases.

Special requests:

- Upon request and for special quantities inserts can be supplied with customised lengths.
- Upon request and for special quantities the foot can be supplied in Orange (RAL 2004).



Stock availability as % (🛒)
90% (●) - 40% (●) - 5% (●)

Version P901: Mounting foot with stem type A (with hexagonal base) and ball R12.4 - with SBS non-slip base

🛒	Art.	D	H	H1	E	s	R	d1 _{6g}	Q	g	F1 (kN)
●	P90140.TM08X..01	40	17	23	13	5	12.5	M8	45-70-90	44-51-57	10
●	P90140.TM10X..01	40	17	23	13	5	12.5	M10	45-70-100	52-64-79	10
●	P90140.TM12X..01	40	17	23	13	5	12.5	M12	45-70-100	62-79-101	10
●	P90150.TM08X..01	50	18	24	13	5	12.5	M8	45-70-90	66-74-82	10
●	P90150.TM10X..01	50	18	24	13	5	12.5	M10	45-70-100	76-88-103	10
●	P90150.TM12X..01	50	18	24	13	5	12.5	M12	45-70-100	86-104-125	10
●	P90160.TM08X..01	60	20	26	13	5	12.5	M8	45-70-90	52-59-65	10
●	P90160.TM10X..01	60	20	26	13	5	12.5	M10	45-70-100	60-69-83	10
●	P90160.TM12X..01	60	20	26	13	5	12.5	M12	45-70-100	70-84-105	10

Version P901CIN: Foot with stem type A (with hexagonal base) - ball R12.4 - stainless steel - with SBS non-slip base

INOX

🛒	Art.	D	H	H1	E	s	R	d1 _{6g}	Q	g	F1 (kN)
●	P90140.TM08X..01CIN	40	17	23	13	5	12.5	M8	45-70	40-47	10
●	P90140.TM10X..01CIN	40	17	23	13	5	12.5	M10	45-70	48-60	10
●	P90140.TM12X..01CIN	40	17	23	13	5	12.5	M12	45-70-100	58-75-97	10
●	P90150.TM08X..01CIN	50	18	24	13	5	12.5	M8	45-70	46-53	10
●	P90150.TM10X..01CIN	50	18	24	13	5	12.5	M10	45-70	54-63	10
●	P90150.TM12X..01CIN	50	18	24	13	5	12.5	M12	45-70-100	64-78-99	10
●	P90160.TM08X..01CIN	60	20	26	13	5	12.5	M8	45-70	58-66	10
●	P90160.TM10X..01CIN	60	20	26	13	5	12.5	M10	45-70	68-80	10
●	P90160.TM12X..01CIN	60	20	26	13	5	12.5	M12	45-70-100	78-96-117	10

Enter the selected stud length in place of the two dots . . in the item code. Customised stud length available for a minimum of 100 pieces.
Attention: The expressed load limit F1 is lower than the break load by 30% and is intended as static.