

P900



SMALL MOUNTING FOOT WITH STEEL ARTICULATED STEM TYPE A - BALL R12.4

Materials:

Reinforced polyamide.
Resistant to oils and greases.

Surface finish:

Satin.

Colour:

Black (RAL 9011).

Inserts:

P900:

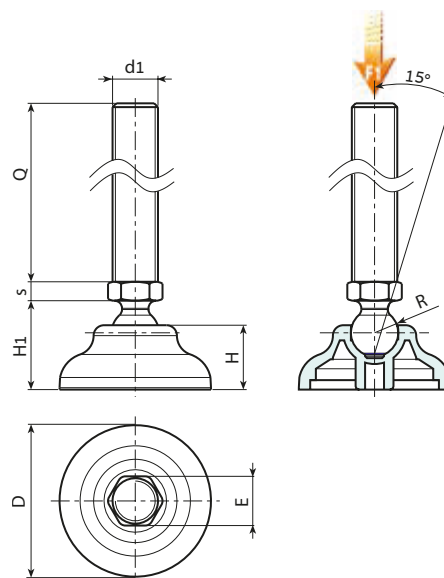
Galvanised steel threaded and articulated stem (ball R.12.4) with hexagonal base (thread tolerance 6g).

P900CIN:

Stainless steel threaded and articulated stem (ball R.12.4) with hexagonal base (Aisi 303) (thread tolerance 6g).

Special requests:

- Upon request and for special quantities inserts can be supplied with customised lengths.
- Upon request and for special quantities the foot can be supplied in Orange (RAL 2004).



Stock availability as % (🛒)
90% (●) - 40% (●) - 5% (●)

Version P900: Mounting foot with stem type A (with hexagonal base) and ball R12.4

🛒	Art.	D	H	H1	E	s	R	d1 _{6g}	Q	g	F1 (kN)
●	P90040.TM08X..01	40	17	23	13	5	12.4	M8	45-70-90	40-47-54	10
●	P90040.TM10X..01	40	17	23	13	5	12.4	M10	45-70-100	48-60-75	10
●	P90040.TM12X..01	40	17	23	13	5	12.4	M12	45-70-100	58-75-97	10
●	P90050.TM08X..01	50	18	24	13	5	12.4	M8	45-70-90	46-53-60	10
●	P90050.TM10X..01	50	18	24	13	5	12.4	M10	45-70-100	54-63-77	10
●	P90050.TM12X..01	50	18	24	13	5	12.4	M12	45-70-100	64-78-99	10
●	P90060.TM08X..01	60	20	26	13	5	12.4	M8	45-70-90	58-66-73	10
●	P90060.TM10X..01	60	20	26	13	5	12.4	M10	45-70-100	68-80-95	10
●	P90060.TM12X..01	60	20	26	13	5	12.4	M12	45-70-100	78-96-117	10

Version P900CIN: Mounting foot with stem type A (with hexagonal base) and ball R12.4 - stainless steel

INOX

🛒	Art.	D	H	H1	E	s	R	d1 _{6g}	Q	g	F1 (kN)
●	P90040.TM08X..01CIN	40	17	23	13	5	12.4	M8	45-70	40-47	10
●	P90040.TM10X..01CIN	40	17	23	13	5	12.4	M10	45-70	48-60	10
●	P90040.TM12X..01CIN	40	17	23	13	5	12.4	M12	45-70-100	58-75-99	10
●	P90050.TM08X..01CIN	50	18	24	13	5	12.4	M8	45-70	46-53	10
●	P90050.TM10X..01CIN	50	18	24	13	5	12.4	M10	45-70	54-63	10
●	P90050.TM12X..01CIN	50	18	24	13	5	12.4	M12	45-70-100	64-78-102	10
●	P90060.TM08X..01CIN	60	20	26	13	5	12.4	M8	45-70	58-66	10
●	P90060.TM10X..01CIN	60	20	26	13	5	12.4	M10	45-70	68-80	10
●	P90060.TM12X..01CIN	60	20	26	13	5	12.4	M12	45-70-100	78-96-120	10

Attention: The expressed load limit F1 is lower than the break load by 30% and is intended as static.

Enter the selected stud length in place of the two dots . . in the item code. Customised stud length available for a minimum of 100 pieces.