

P830



MOUNTING FOOT WITH BALL JOINT (R.24), HEXAGONAL BASE AND THREADED HOLE

Materials:

Reinforced polyamide.
Resistant to oils and greases.

Surface finish:

Satin.

Colour:

Black (RAL 9011).

Inserts:

P830:

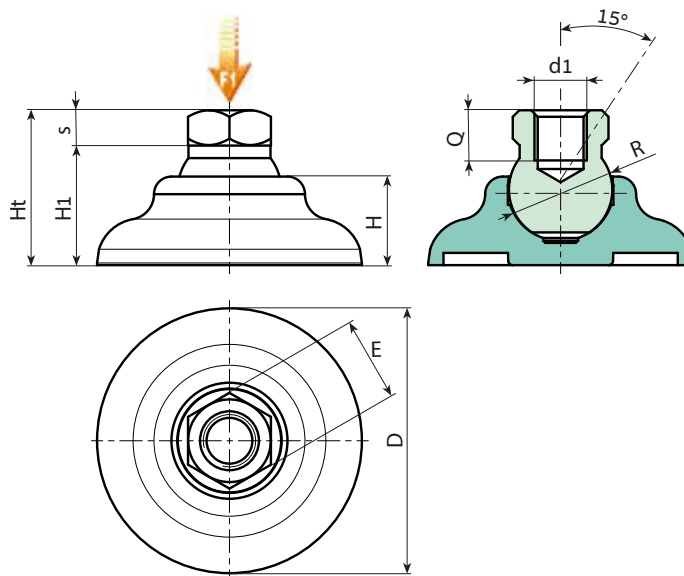
Galvanised steel ball joint with threaded hole (ball R.24) with hexagonal base (thread tolerance 6H).

P830CIN:

Stainless steel (Aisi 303) ball joint with threaded hole (ball R.24) with hexagonal base (thread tolerance 6H).

Special requests:

- Upon request and for special quantities the foot can be supplied in Orange (RAL 2004).



Version P830: with galvanised steel insert

Stock availability as % (🛒)
90% (●) - 40% (●) - 5% (●)

🛒	Art.	D	H	H1	Ht	E	s	R	d1 _{6H}	Q	🔒	F1 (kN)
●	P830060.TM1201	60	20	27,5	35,5	19	8	24	M12	11,5	85	17
●	P830060.TM1601	60	20	27,5	35,5	24	8	24	M16	11,5	85	17

Attention: The expressed load limit F1 is lower than the break load by 30% and is intended as static.

Version P830CIN: with stainless steel insert (Aisi 303)

INOX

🛒	Art.	D	H	H1	Ht	E	s	R	d1 _{6H}	Q	🔒	F1 (kN)
●	P830060.TM1201CIN	60	20	27,5	35,5	19	8	24	M12	11,5	85	17
●	P830060.TM1601CIN	60	20	27,5	35,5	24	8	24	M16	11,5	85	17

Attention: The expressed load limit F1 is lower than the break load by 30% and is intended as static.