

P821



SOLID MOUNTING AND THRUST FOOT WITH NON-SLIP BASE

Materials:

Reinforced polyamide.
Resistant to oils and greases.

Surface finish:

Satin.

Colour:

Black (RAL 9011).

Inserts:

Galvanized steel threaded stem with ball joint (thread tolerance 6g), with milled seat for adjustment wrench.

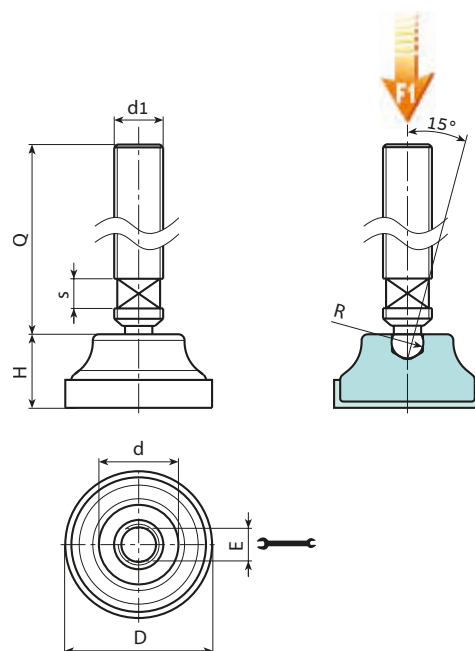
Non-slip base:

Non-slip base in thermoplastic rubber SBS 75 Shore, only in black RAL 9011.
Push-fit assembly.

Special requests:

- Upon request and for special quantities inserts can be supplied with customised lengths.
- Upon request and for special quantities inserts can be supplied in different materials.
- Upon request and for special quantities the foot can be supplied in Orange (RAL 2004).

Notes: The base of mounting foot P821 can be used in combination with other handgrips in order to obtain a greater closing surface or thrust.



Stock availability as % (🛒)
90% (●) - 40% (●) - 5% (●)

🛒	Art.	D	H	d	E	s	R	d1 _{6g}	Q	g	F1 (kN)
●	P821019.TM08X..01	21	12	13	6	6	6.1	M8	50-90	21-33	4
●	P821022.TM08X..01	24	13	15	6	6	6.1	M8	50-90	22-34	4
●	P821022.TM10X..01	24	13	15	8	6	7.8	M10	50-90	32-51	4
●	P821026.TM08X..01	28	14.5	18	6	6	6.1	M8	50-90	26-38	4
●	P821026.TM10X..01	28	14.5	18	8	6	7.8	M10	50-90	36-55	4
●	P821026.TM12X..01	28	14.5	18	10	6	9.4	M12	50-90	48-75	4

Enter the selected stud length in place of the two dots . . in the item code.

Customised stud length available for a minimum of 150 pieces.

Attention: The expressed load limit F1 is lower than the break load by 30% and is intended as static.



Arbel Agencies LTD.

11 Ba'alei Hamelacha st. Qiryat Bialik P.O.B 1095, ZIP 2751311, ISRAEL

+972(0)48736969 ☎ +972(0)48730708 📠 info@arbel-ltd.com 📧 www.arbel-ltd.com 🌐

