

# P814



## SOLID MOUNTING FOOT WITH THREADED AND ARTICULATED STEM

### Materials:

Reinforced polyamide.  
Resistant to oils and greases.

### Surface finish:

Satin.

### Colour:

Black (RAL 9011).

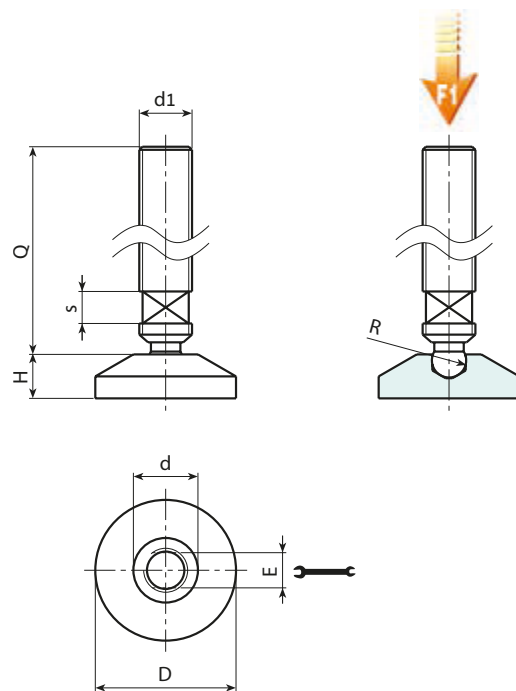
### Inserts:

Galvanized steel threaded stem with ball joint (thread tolerance 6g), with milled seat for adjustment wrench.

**Notes:** The base of mounting foot P814 can be used in combination with other handgrips in order to obtain a greater closing surface or thrust.

### Special requests:

- Upon request and for special quantities inserts can be supplied with customised lengths.
- Upon request and for special quantities the foot can be supplied in Orange (RAL 2004).



Stock availability as % (🛒)  
90% (●) - 40% (●) - 5% (●)

🛒	Art.	D	H	d	E	s	R	d1	Q	🛒	F1 (N)
●	P814032.TM10X..01	32	10	15.5	6	6	8	M10	50-90	32-53	4000
●	P814032.TM12X..01	32	10	15.5	6	6	8	M12	50-90	50-90	4000

Enter the selected stud length in place of the two dots . . in the item code.

Customised stud length available for a minimum of 150 pieces.

Attention: The expressed load limit F1 is lower than the break load by 30% and is intended as static.